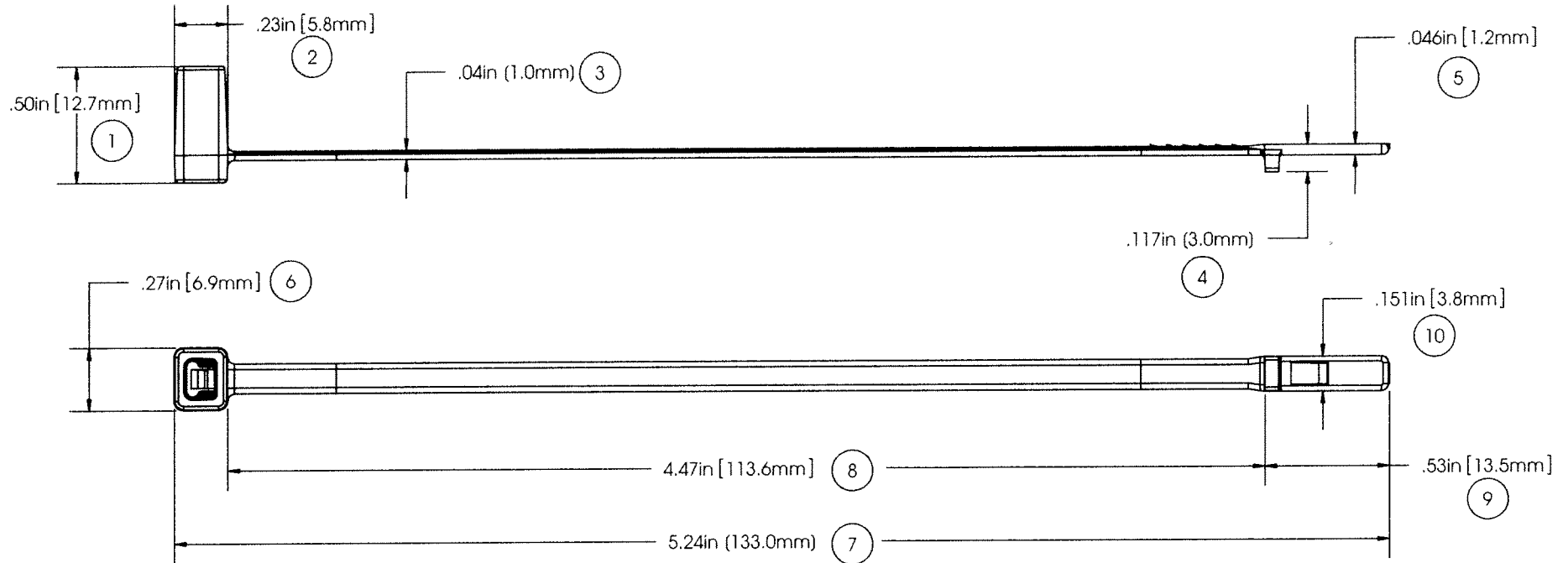


AVERY DENNISON MARKETING SPECIFICATION


HISTORY

REV.	DATE	DESCRIPTION
B	06.24.13	OBSOLETE SPC20064-BLK

THE SUBJECT MATTER DISCLOSED HEREIN EMBODIES PROPRIETARY INFORMATION WHICH IS THE CONFIDENTIAL PROPERTY OF THE AVERY DENNISON CO. NONE OF WHICH SHALL BE COPIED, REPRODUCED, DISCLOSED TO OTHERS, PUBLISHED OR USED IN WHOLE OR IN PART, FOR ANY PURPOSE OTHER THAN THAT FOR WHICH IT IS BEING MADE AVAILABLE, WITHOUT THE EXPRESS ADVANCE WRITTEN PERMISSION OF A DULY AUTHORIZED AGENT OF THE COMPANY. THIS DOCUMENT IS THE PROPERTY OF THE AVERY DENNISON CO. AND IS TO BE RETURNED TO THE COMPANY ON DEMAND.



STOCK #	COLOR
20064-R	RED
20064-B	BLUE
20064-P	PURPLE
20064-ORG	ORANGE
20064-Y	YELLOW
20064-O	BLACK
20064-G	GREEN

TENSILE STRENGTH:	30 LBF /133.4 N MIN.	APPROVALS:	ENG. APPR. <i>[Signature]</i> 6/21/13	 AVERY DENNISON <small>FASTENER DIVISION FITCHBURG, MA 01420 U.S.A. TEL: 1-800-225-5913 FAX: 978-353-8157</small>
OPERATING TEMP RANGE:	-40 °F (-40 °C) TO 220 °F (105 °C)		Q.A. APPR. <i>[Signature]</i> 06/21/2013	
WEIGHT:	.030 OZ./ .85 GRAMS	SPECIFIED TOLERANCES ARE:	MATERIAL	DESCRIPTION
BUNDLE DIAMETER:	Ø36.1MM (1.42IN) MAXIMUM	.XX ± .03 IN. .X ± .7 MM	NYLON 6/6	SKI TAG SECURITY TIE, 5"
PACKAGING:	1000/BAG, 5 BAGS/MASTER	.XXX ± .01 IN. .XX ± .25 MM	COLOR	STOCK NO.
		ANGULAR: ± 2°	SEE TABLE	20064
				REV.
				B

5

4

3

2

1