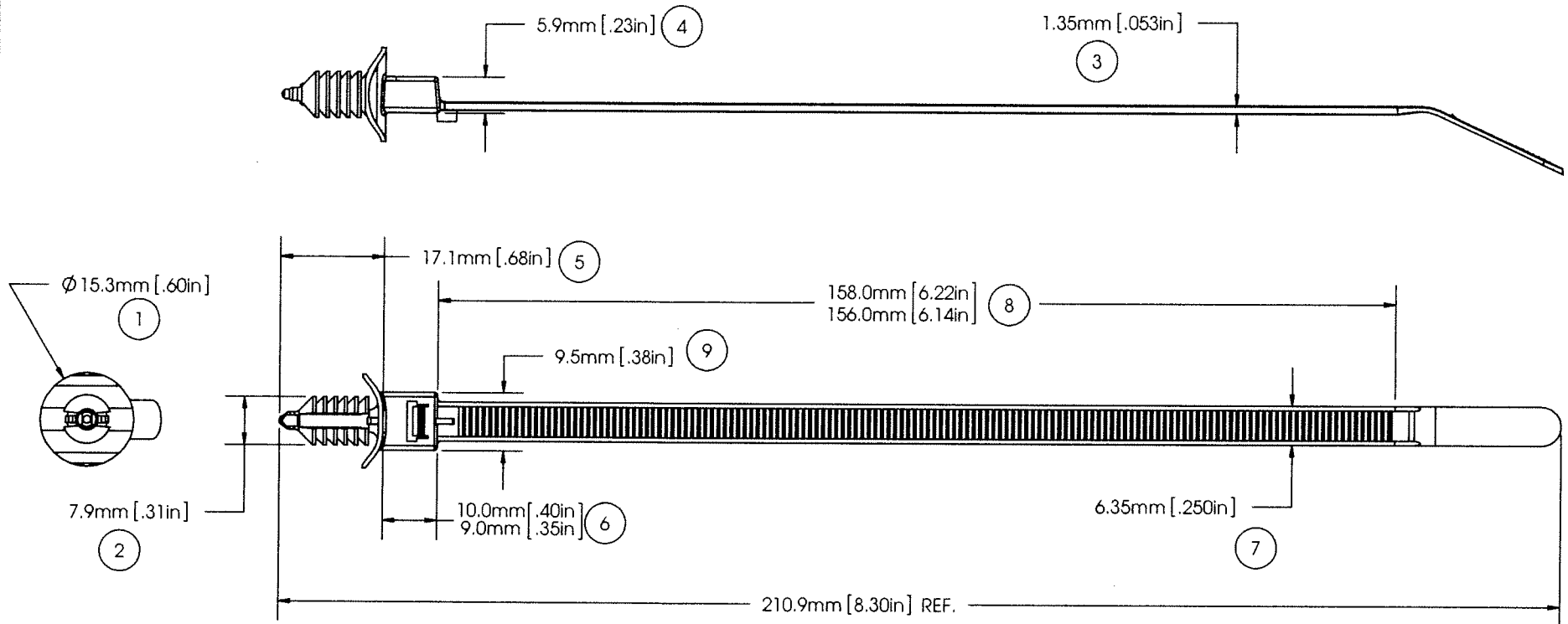


AVERY DENNISON MARKETING SPECIFICATION

HISTORY

THE SUBJECT MATTER DISCLOSED HEREIN EMBODIES PROPRIETARY INFORMATION WHICH IS THE CONFIDENTIAL PROPERTY OF THE AVERY DENNISON CO. NONE OF WHICH SHALL BE COPIED, REPRODUCED, DISCLOSED TO OTHERS, PUBLISHED OR USED IN WHOLE OR IN PART, FOR ANY PURPOSE OTHER THAN THAT FOR WHICH IT IS BEING MADE AVAILABLE WITHOUT THE EXPRESS ADVANCE WRITTEN PERMISSION OF A DULY AUTHORIZED AGENT OF THE COMPANY. THIS DOCUMENT IS THE PROPERTY OF THE AVERY DENNISON CO. AND IS TO BE RETURNED TO THE COMPANY ON DEMAND.

REV.	DATE	DESCRIPTION
D	7.24.12	REMOVED THE WINDOWS IN THE FIR TREE
E	04.10.13	ITEM 8 FROM 6.20IN TO 6.14/6.22 AND ITEM 6 FROM .35IN TO .35/.40



MOUNTING:	6.4MM TO 7.0MM HOLES
TENSILE STRENGTH:	50 LBF / 22.7 KGF MIN.
OPERATING TEMP RANGE:	-40 °F (-40 °C) TO 257 °F (125 °C)
WEIGHT:	0.0700 OZ. / 2.06 GRAMS
BUNDLE DIAMETER:	Ø 1.6MM / .063IN TO Ø 44.5MM / 1.75IN
TOOL:	12001 - HAND INSTALLATION TOOL 12500 - PNUEM. INSTALLATION TOOL
TOOL TENSION SETTING:	6 - 8
PACKAGING:	500/BAG, 10 BAGS/MASTER

APPROVALS: ENG. APPR. *Dan O'Hill 4/10/13*
Q.A. APPR. *Jamie C. Bennett 4/12/13*

SPECIFIED TOLERANCES ARE:

.XX ± .03 IN.	.X ± .7 MM
.XXX ± .01 IN.	.XX ± .25 MM
ANGULAR: ± 2°	

MATERIAL
IMPACT MODIFIED NYLON 6/6
HEAT STABILIZED

COLOR
GREY



AVERY DENNISON

FASTENER DIVISION
FITCHBURG, MA 01420 U.S.A.
TEL: 1-800-225-5913
FAX: 978-353-8157

DESCRIPTION
FIR TREE TIE - STANDARD

STOCK NO. **20048-0**

REV. **E**

5

4

3

2

1