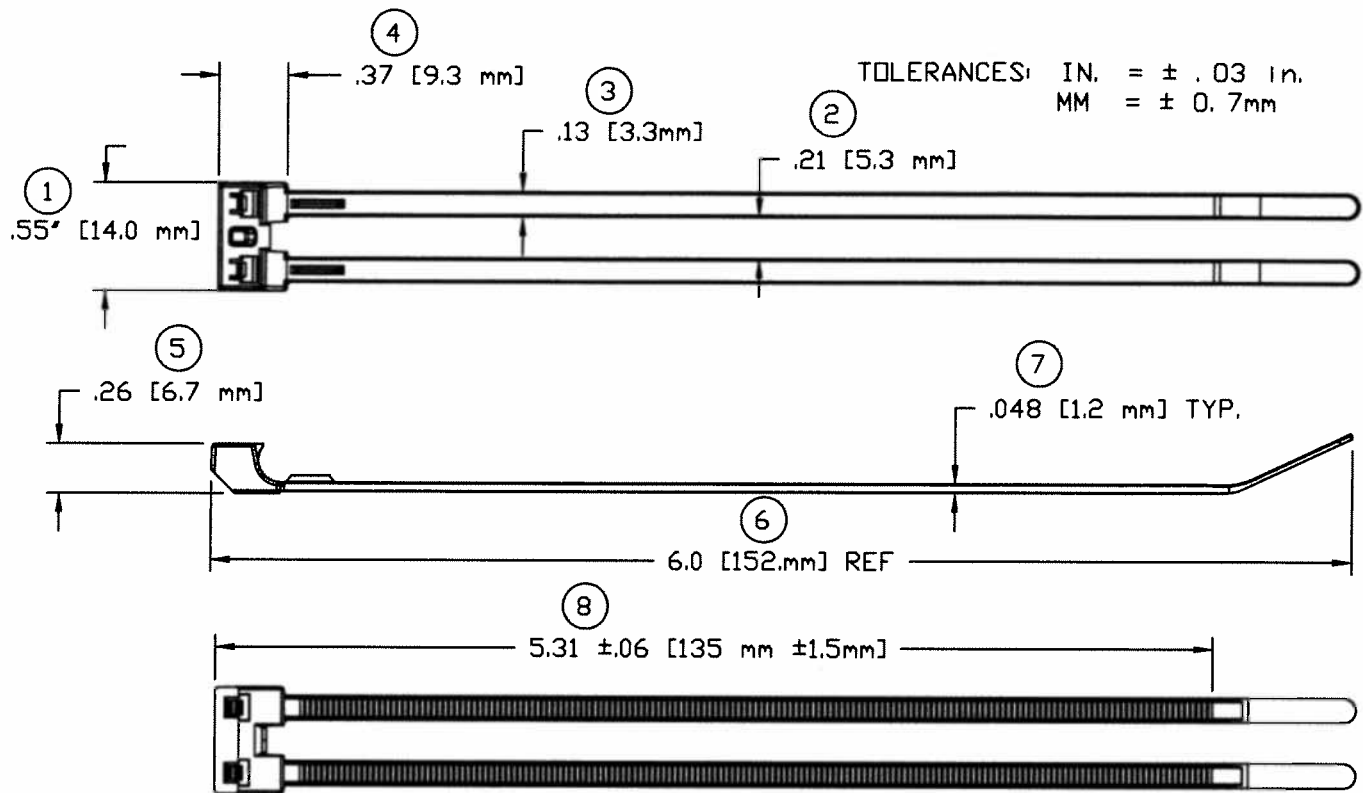


AVERY DENNISON MARKETING SPECIFICATION



NOT TO SCALE

TENSILE STRENGTH: (LOOPED)	20 lbf. / 9.1 kgf. MINIMUM
MATERIAL:	IMPACT MODIFIED NYLON 6/6
WEIGHT:	1.5 GRAMS/EACH
BUNDLE DIAMETER:	1/4" (6.0mm) - 1-5/8" (41.3mm)
APPLICATION TOOL:	TOOL, HAND ADJUSTABLE, FOR PLASTIC TIE DOWN STRAP. AVERY DENNISON PART NUMBER 12001
TOOL TENSION SETTING:	3-5
PACKAGED IN:	1000/BAG, 5000/CASE



FASTENER DIVISION
 FITCHBURG, MA 01420 U.S.A.
 TEL: 1-800-225-5913
 FAX: 1-800-848-2169

DESCRIPTION:

6" DOUBLE STRAP CABLE TIE
 BLACK HEAT STABILIZED

APPROVAL:

James Bennett 6-22-2011

STOCK NO.

20040

REV

C