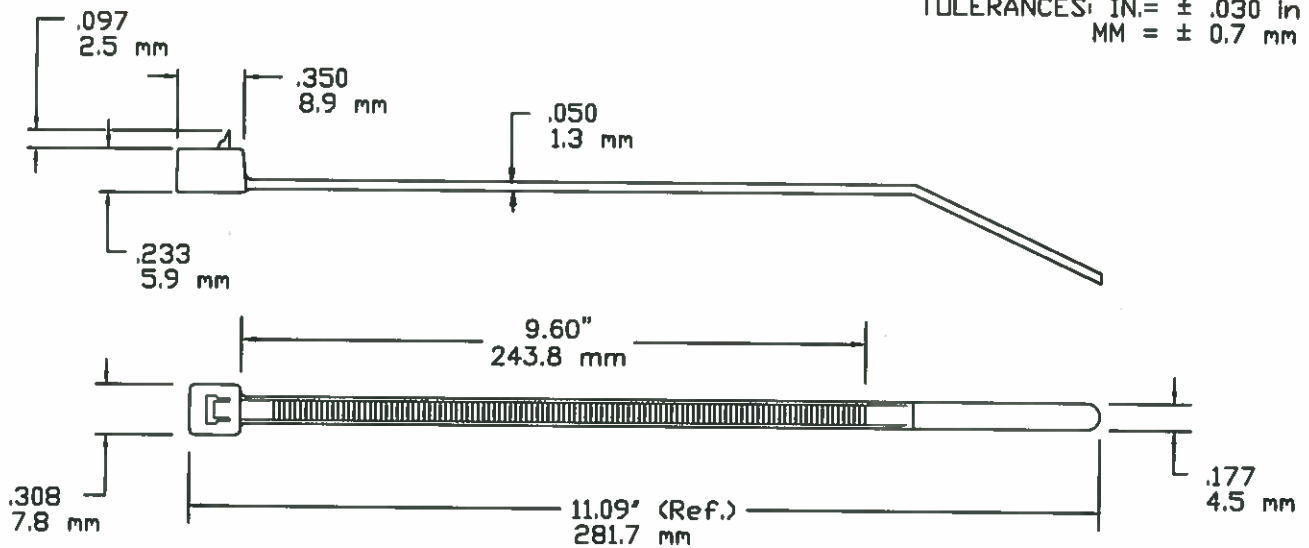


# EVERY DENNISON MARKETING SPECIFICATION

TOLERANCES: IN. = ± .030 in  
MM = ± 0.7 mm



NOT TO SCALE

|                         |                                 |
|-------------------------|---------------------------------|
| LOOP TENSILE STRENGTH:  | 50 LBF / 220N MIN. PER AS-23190 |
| OPERATING TEMPERATURE:  | -40°F (-40°C) TO 185°F (85°C)   |
| MIN. INSTALLATION TEMP: | 32°F (0°C)                      |
| MATERIAL:               | NYLON 6/6                       |
| WEIGHT:                 | .06878 oz. / 2.02 grams         |
| BUNDLE DIAMETER:        | Ø0.063"/1.59mm TO Ø3.0"/76.2mm  |
| PACKAGED IN:            | 100/BAG, 1000/CASE              |

NOTE: THESE CABLE TIES ARE PLENUM RATED AND HAVE A FLAMMABILITY RATING OF V2.



FASTENER DIVISION  
FITCHBURG, MA 01420 U.S.A.  
TEL. 1-800-225-5913  
MA. 978-353-8157



E57800  
TYPE11

DESCRIPTION:

11" / 280mm CABLE TIE, RELEASABLE  
NATURAL

APPROVAL:

*J. Boyle 9-18-2015*

STOCK NO.

10370-0

REV

B