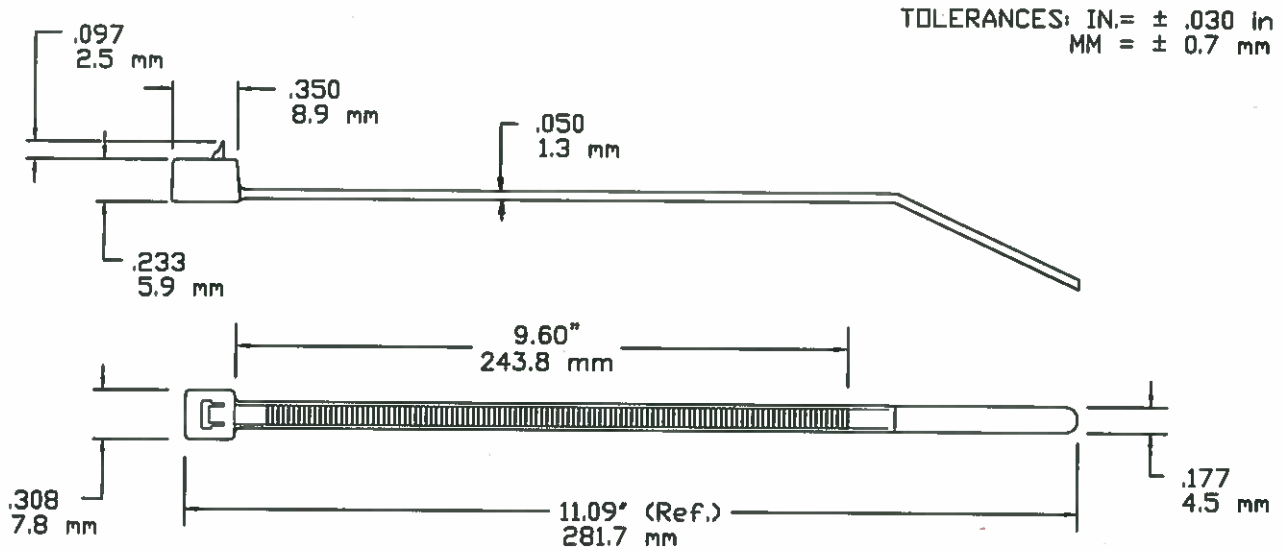


# AVERY DENNISON MARKETING SPECIFICATION



TOLERANCES: IN. =  $\pm .030$  in  
MM =  $\pm 0.7$  mm

NOT TO SCALE

LOOP TENSILE STRENGTH:	50 LBF / 220N MIN. PER AS-23190
OPERATING TEMPERATURE:	-40°F (-40°C) TO 221°F (105°C)
MIN. INSTALLATION TEMP:	32°F (0°C)
MATERIAL:	NYLON 6/6
WEIGHT:	.06878 oz. / 2.02 grams
BUNDLE DIAMETER:	Ø0.063"/1.59mm TO Ø3.0"/76.2mm
PACKAGED IN:	1000/BAG, 5000/CASE

NOTE: THESE CABLE TIES ARE PLENUM RATED AND HAVE A FLAMMABILITY RATING OF V2.



FASTENER DIVISION  
FITCHBURG, MA 01420 U.S.A.  
TEL. 1-800-225-5913  
MA. 978-353-8157



E57800  
TYPE 11

DESCRIPTION:

11" / 280mm CABLE TIE, RELEASABLE  
BLACK HEAT STABILIZED

APPROVAL:

*L. Boyle 9-18-2015*

STOCK NO.

10368-0

REV

F