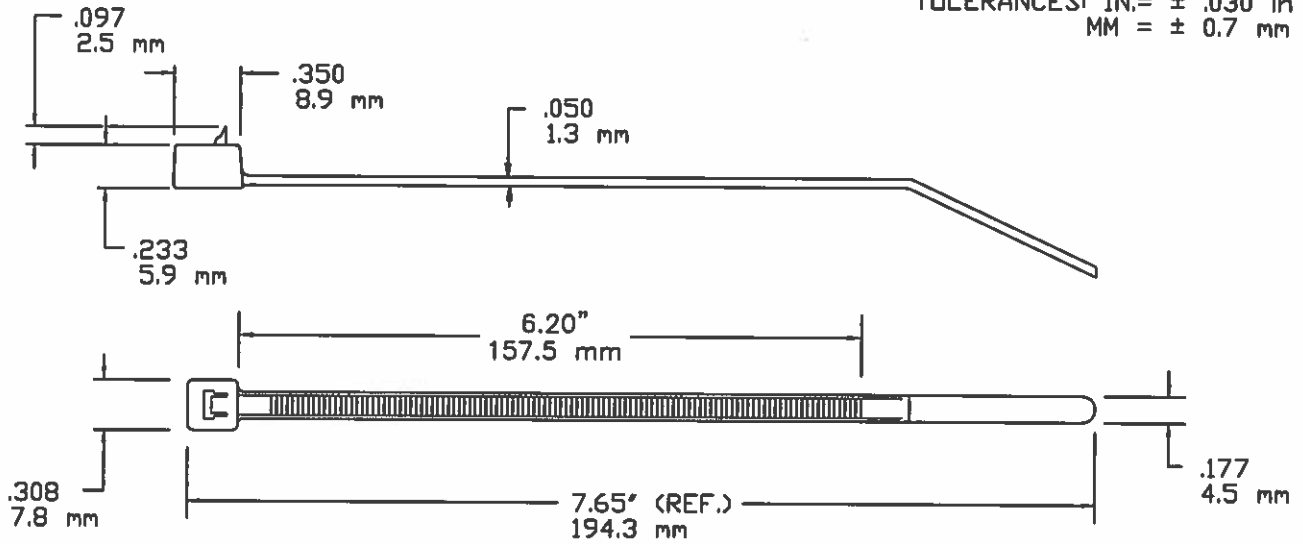


# AVERY DENNISON MARKETING SPECIFICATION

TOLERANCES: IN. = ± .030 In  
MM = ± 0.7 mm



**NOT TO SCALE**

LOOP TENSILE STRENGTH:	50 LBF / 220N MIN. PER AS-23190
OPERATING TEMPERATURE:	-40°F (-40°C) TO 185°F (85°C)
MIN. INSTALLATION TEMP:	32°F (0°C)
MATERIAL:	NYLON 6/6
WEIGHT:	.04838 oz. / 1.42 grams
BUNDLE DIAMETER:	Ø0.063"/1.59mm TO Ø1.75"/44mm
PACKAGED IN:	1000/BAG, 5000/CASE

NOTE: THESE CABLE TIES ARE PLENUM RATED AND HAVE A FLAMMABILITY RATING OF V2.



FASTENER DIVISION  
FITCHBURG, MA 01420 U.S.A.  
TEL 1-800-225-5913  
MA 978-353-8157



**E57800  
TYPE 11**

DESCRIPTION:

7.5" / 190mm CABLE TIE, RELEASABLE  
NATURAL

APPROVAL:

*Y. Boyd* 9-18-2015

STOCK NO.

10361-0

REV

F