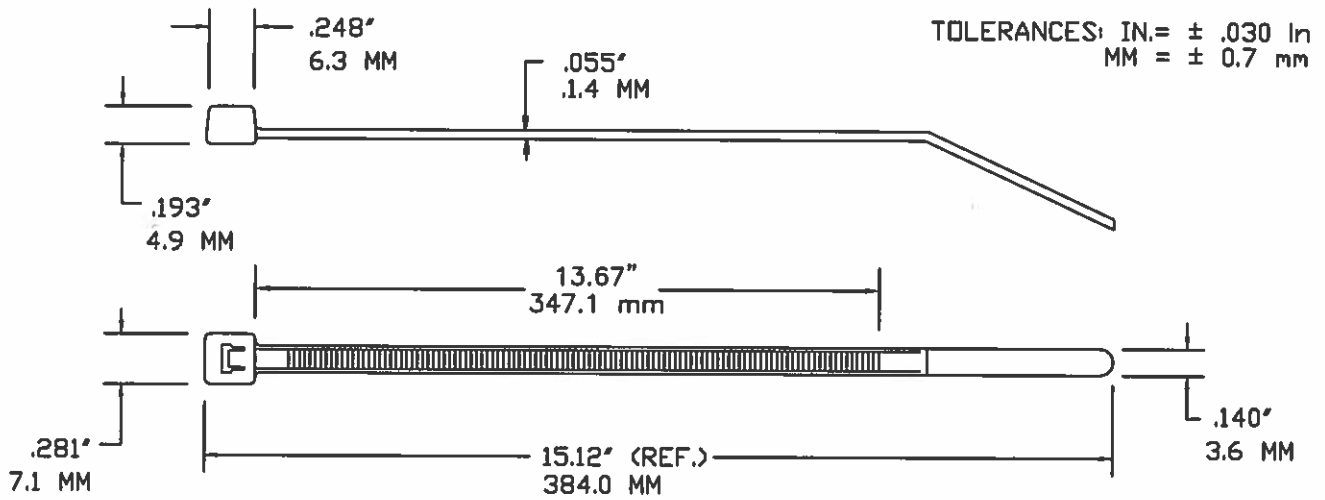


# AVERY DENNISON MARKETING SPECIFICATION



NOT TO SCALE

|                       |  |
|-----------------------|--|
| TENSILE STRENGTH:     | 40 LBS. / 18.1 KG. MINIMUM PER MIL-S-23190   |
| MATERIAL:             | NYLON 6/6 PER ASTM D4066   |
| WEIGHT:               | .06154 OZ. / 1.81 GRAMS  |
| BUNDLE DIAMETER:      | 1/16" - 4  |
| APPLICATION TOOL:     | TOOL, HAND ADJUSTABLE, FOR PLASTIC TIE DOWN STRAP. AVERY DENNISON PART NUMBER 12001. |
| TOOL TENSION SETTING: | 3-5  |
| PACKAGED IN:          | 1000 PACKS IN SEALED BAGS (100 PACKS AVAILABLE)                                      |



FASTENER DIVISION  
 FITCHBURG, MA 01420 U.S.A.  
 TEL. 1-800-225-5913  
 MA. 978-353-8157

DESCRIPTION:

15" CABLE TIE, SLIM-LINE - NATURAL

APPROVAL:

*Linda Boyle 5-3-2016*

STOCK NO.

10335-0

REV

K