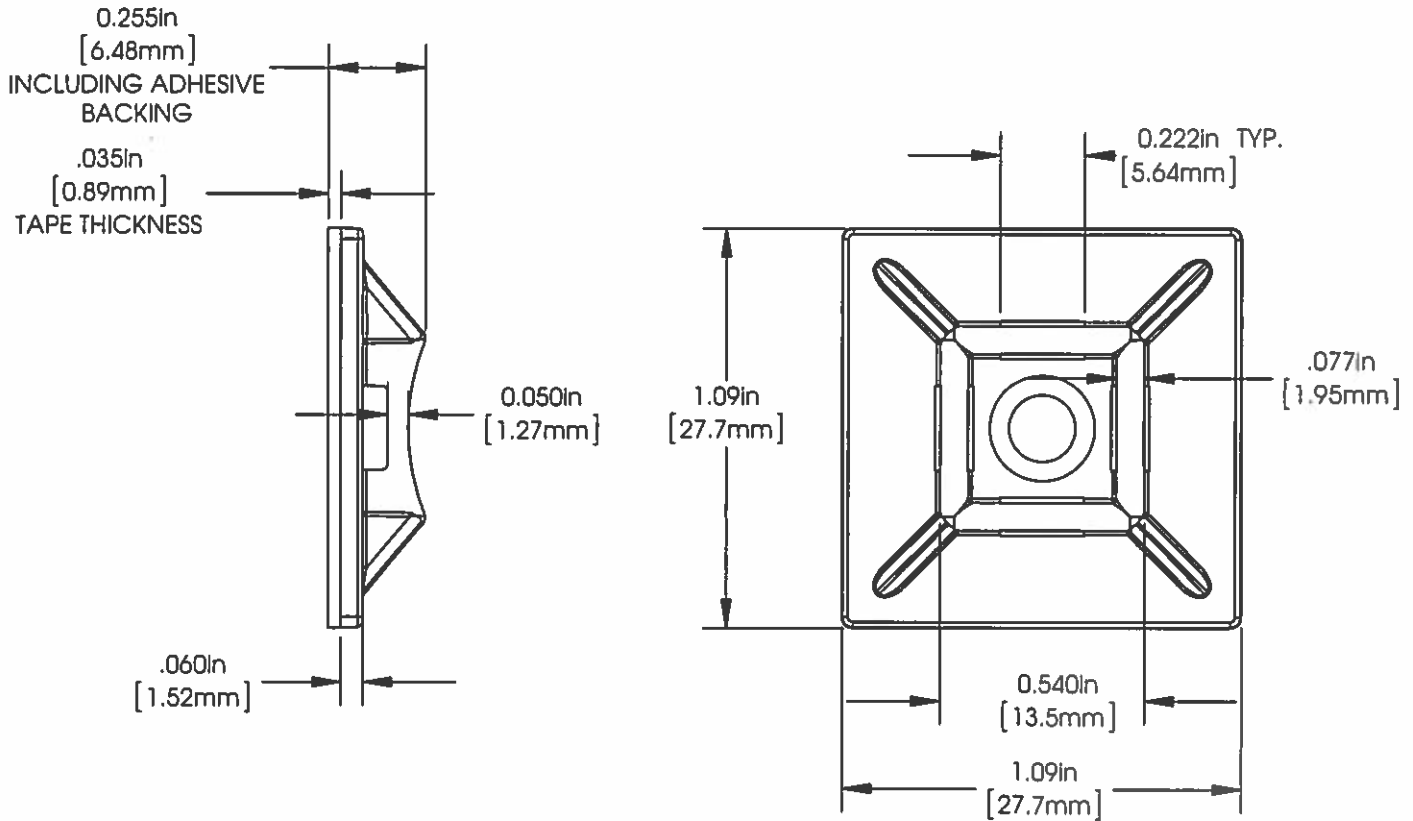


# AVERY DENNISON PRODUCT SPECIFICATION



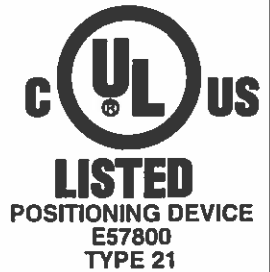
NOT TO SCALE

UNLESS OTHERWISE SPECIFIED:  
TOLERANCES:  $\pm 10\%$

MATERIAL:	NYLON 6 NATURAL
WEIGHT:	.054 oz. / 1.54 g
MOUNTING:	ADHESIVE MOUNTING
PACKAGING:	100 PER BAG / 10 BAGS PER BOX
OPERATING TEMP RANGE:	-20°C (-4°F) TO 70°C (158°F)
LOOP TENSILE STRENGTH:	50lbf 220N MINIMUM
MINIMUM INSTALLATION TEMP:	32°C (0°F)

**NOTES:**

1. THESE MOUNTS HAVE A FLAMMABILITY RATING OF V-2
2. UL APPLICATIONS REQUIRE USE WITHIN ENCLOSURES.



10030-0

1" CABLE TIE MOUNT, RUBBER ADHESIVE

APPROVER

*UBoyle 4/22/15*

REV  
J



**Avery Dennison**

Fastener Division

USA

Phone - 1-800-225-5913 Fax - 1-800-848-2169