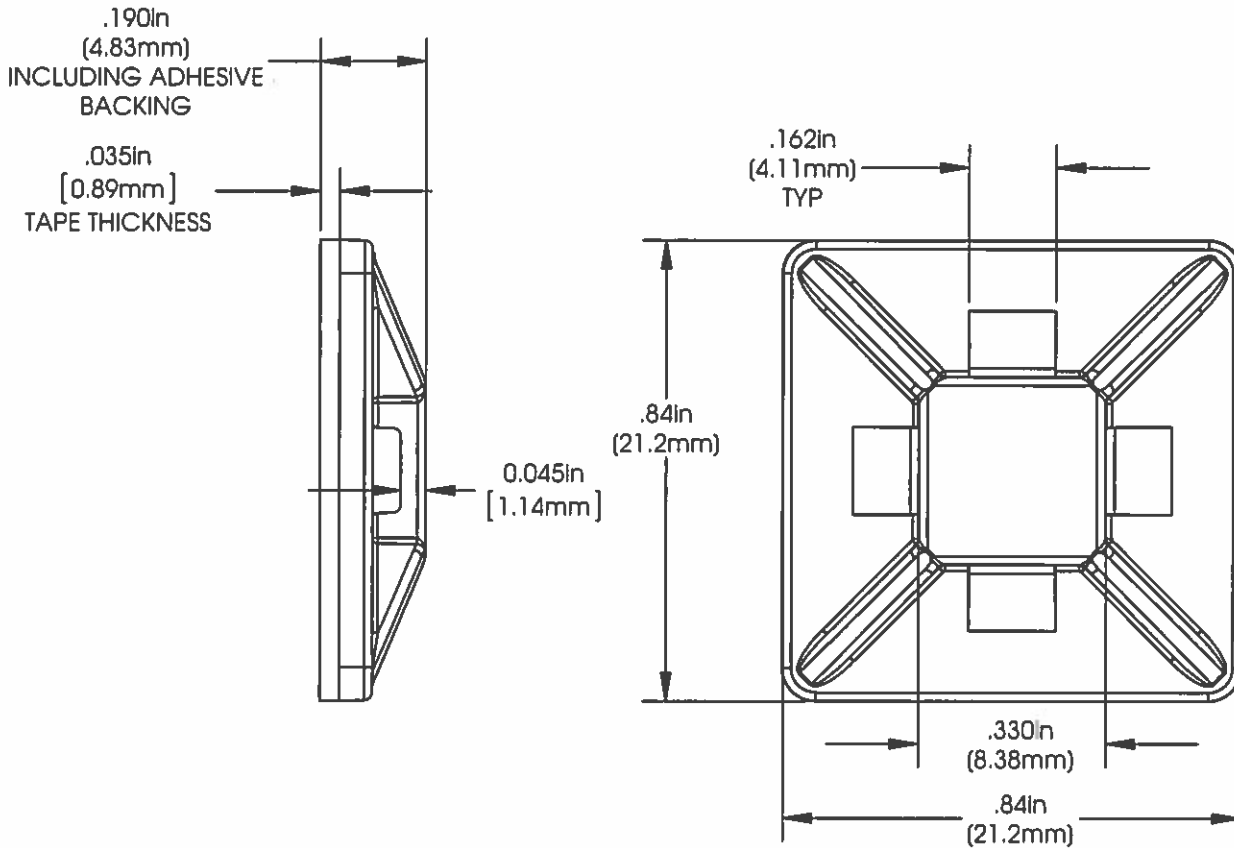


# AVERY DENNISON PRODUCT SPECIFICATION



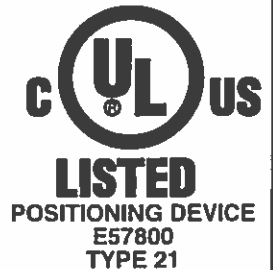
NOT TO SCALE

UNLESS OTHERWISE SPECIFIED:  
TOLERANCES: ±10%

MATERIAL:	NYLON 6 NATURAL
WEIGHT:	.029 oz. / .82 g
MOUNTING:	ADHESIVE MOUNTING
PACKAGING:	100 PER BAG / 10 BAGS PER BOX
OPERATING TEMP RANGE:	-20°C (-4°F) TO 70°C (158°F)
LOOP TENSILE STRENGTH:	40lbf 180N MINIMUM
MINIMUM INSTALLATION TEMP:	32°C (0°F)

NOTES:

1. THESE MOUNTS HAVE A FLAMMABILITY RATING OF V-2
2. UL APPLICATIONS REQUIRE USE WITHIN ENCLOSURES.



10029-0 3/4" CABLE TIE MOUNT, RUBBER ADHESIVE

APPROVER  
*J. Boyd* 4/22/15

REV  
J



**Avery Dennison**

Fastener Division

USA

Phone - 1-800-225-5913 Fax - 1-800-848-2169