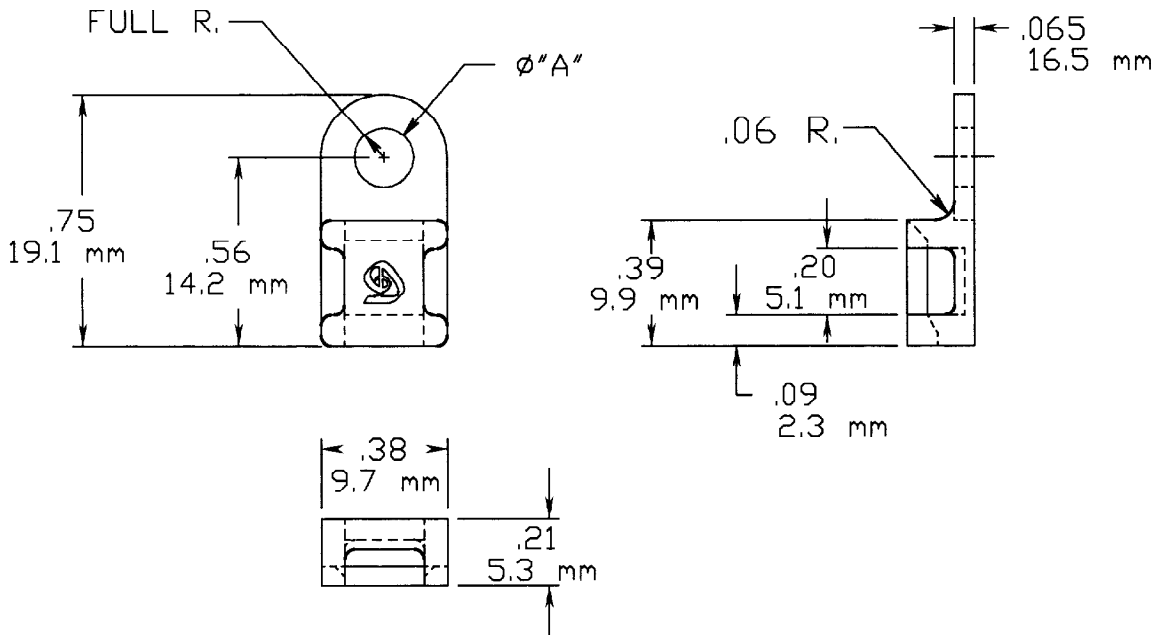


EVERY DENNISON PRODUCT SPECIFICATION

TOLERANCES: IN. = $\pm .030$ in
MM = ± 0.7 mm



NOT TO SCALE

MATERIAL:	NYLON 6/6 - NATURAL
WEIGHT:	.34 oz. / .012 grams
UL RECOGNIZED:	FILE NO. E57800
MOUNTING:	SCREW MOUNTING
PACKAGED IN:	100 PER BAG / 10 BAGS PER BOX

STOCK NO.	DIA "A"	SCREW SIZE
10027	.176"/4.5 mm	#8 / M4
10028	.203"/5.2 mm	#10 / M5



FASTENER DIVISION
FITCHBURG, MA 01420 U.S.A.
TEL. 1-800-225-5913
MA. 978-353-8157



DESCRIPTION:

ANCHOR BASE CABLE TIE

APPROVAL: *J. Bennett* 11-24-98

STOCK NO.

10027 NAT

REV

F