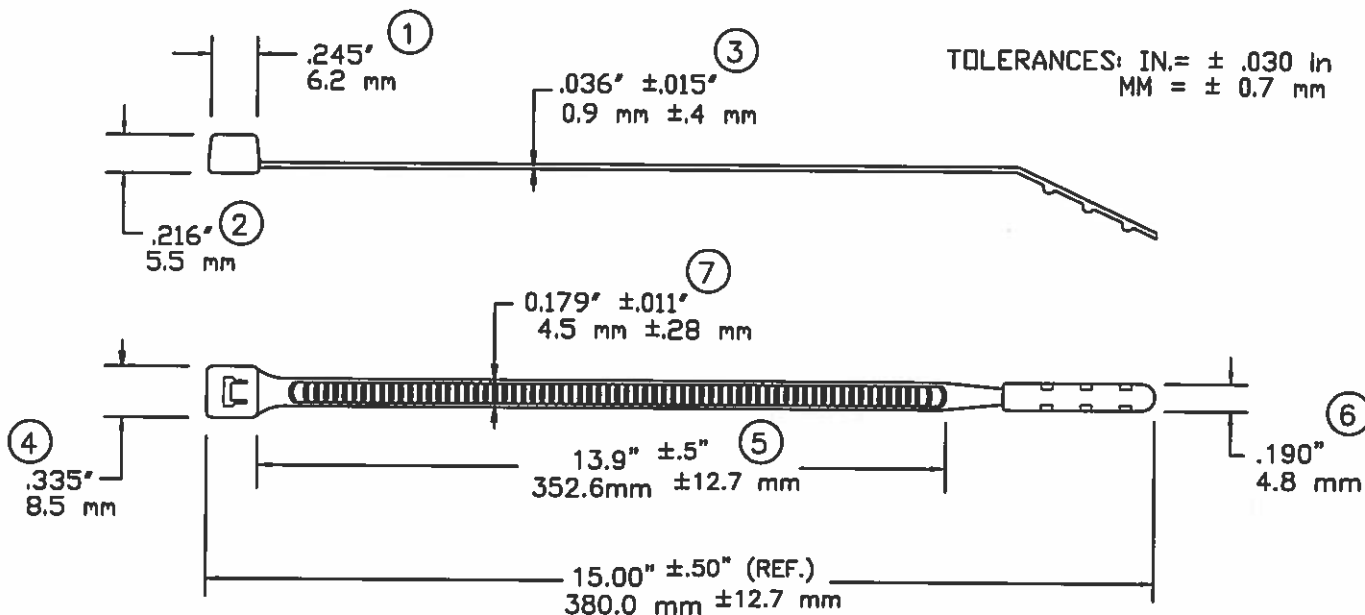


AVERY DENNISON MARKETING SPECIFICATION



NOT TO SCALE

LOOPED TENSILE STRENGTH:	50 LBSF. / 220N MINIMUM
MILITARY STANDARD:	MS3367-2-0
MATERIAL:	NYLON 6/6 BLACK HEAT STABILIZED
WEIGHT:	.0497 oz. / 1.46 grams
BUNDLE DIAMETER:	Ø0.063"/1.59mm to Ø4.0"/101.6mm
MIN. INSTALLATION TEMP:	32°F (0°C)
OPERATING TEMPERATURE:	-40°F(-40°C) TO 220°F(105°C)
APPLICATION TOOL:	TOOL, HAND ADJUSTABLE, FOR PLASTIC TIE DOWN STRAP. AVERY DENNISON PART NUMBER 12001.
TOOL TENSION SETTING:	6-8
PACKAGED IN:	100/BAG, 1000/CASE



FASTENER DIVISION
FITCHBURG, MA 01420 U.S.A.
TEL. 1-800-225-5913
MA. 978-353-8157

THESE CABLE TIES ARE PLENUM RATED AND HAS A FLAMMABILITY RATING OF V2



DESCRIPTION:

15" SUPER BAR-LOK[®] CABLE TIE
STANDARD

APPROVAL:

Linda Boyle 8/26/15

STOCK NO.

10008-0

REV

N