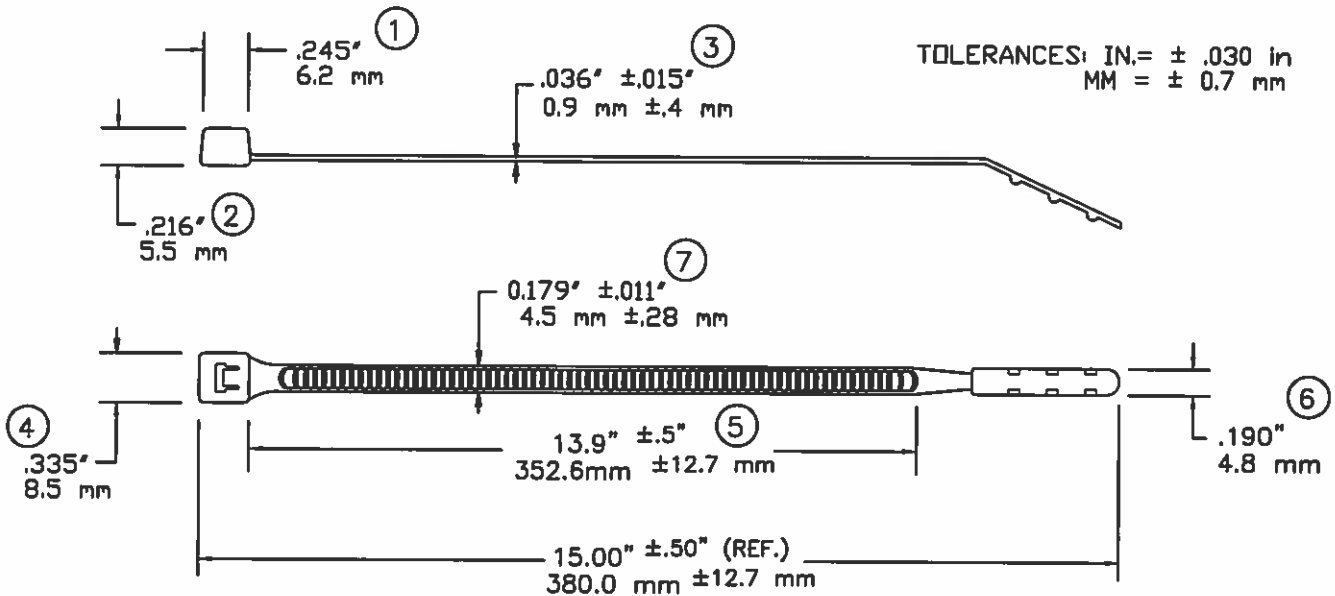


# AVERY DENNISON MARKETING SPECIFICATION



**NOT TO SCALE**

LOOPED TENSILE STRENGTH:	50 LBSF. / 220N MINIMUM
MILITARY STANDARD:	MS3367-2-9
MATERIAL:	NYLON 6/6 NATURAL
WEIGHT:	.0497 oz. / 1.46 grams
BUNDLE DIAMETER:	∅0.063"/1.59mm to ∅4.0"/101.6mm
MIN. INSTALLATION TEMP:	32°F (0°C)
OPERATING TEMPERATURE:	-40°F (-40°C) TO 185°F (85°C)
APPLICATION TOOL:	TOOL, HAND ADJUSTABLE, FOR PLASTIC TIE DOWN STRAP. AVERY DENNISON PART NUMBER 12001.
TOOL TENSION SETTING:	6-8
PACKAGED IN:	100/BAG, 1000/CASE



FASTENER DIVISION  
FITCHBURG, MA 01420 U.S.A.  
TEL. 1-800-225-5913  
MA. 978-353-8157

THESE CABLE TIES ARE PLENUM RATED AND HAS A FLAMMABILITY RATING OF V2



DESCRIPTION:

15" SUPER BAR-LOK® CABLE TIE  
STANDARD

APPROVAL:

*Linda Boyd 8/26/15*

STOCK NO.

10006-0

REV

N