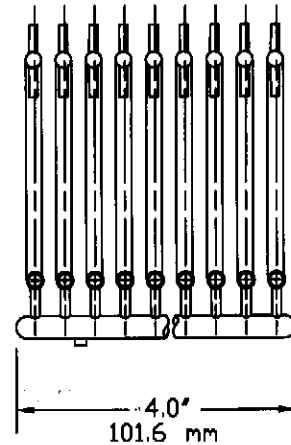
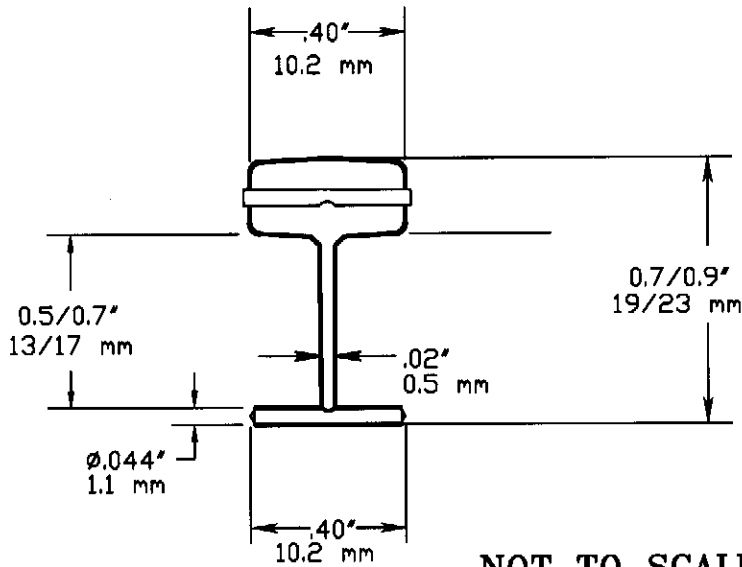


# AVERY DENNISON MARKETING SPECIFICATION

TOLERANCES IN. = ± .030 IN.  
MM = ± 0.7 mm



NOT TO SCALE

NOMINAL TENSILE STRENGTH:	5.0 - 7.0 LBSF / 2.3 - 3.2 KGF
MATERIAL:	NYLON: TYPE 6
WEIGHT/FASTENER:	0.0017 oz / .050 grams
CLIP QUANTITY:	50
APPLICATION TOOL:	10651 MARK III PISTOL GRIP 08945 STANDARD SCISSOR-GRIP MARK II HAND TOOL (CONTACT LOCAL SALES PERSON FOR INFORMATION ON POWERED EQUIPMENT)
PACKAGED IN:	5,000/CTN, 50,000/CASE
T/F CONN PADDLES	NO

STK.NO	DESCRIPTION
08973	NATURAL
08974	DK.BLUE
08975	LT.BLUE
08979	ORANGE
08981	YELLOW
08982	RED
08985	BLACK



FASTENER DIVISION  
FITCHBURG, MA 01420 U.S.A.  
TEL. 1-800-225-5913  
FAX. 1-800-848-2169

DESCRIPTION:

1/2" (15 mm) Swiftach® HD Paddle

APPROVAL:

*E. J. ...* 1-12-09

SEE ABOVE

REV  
H