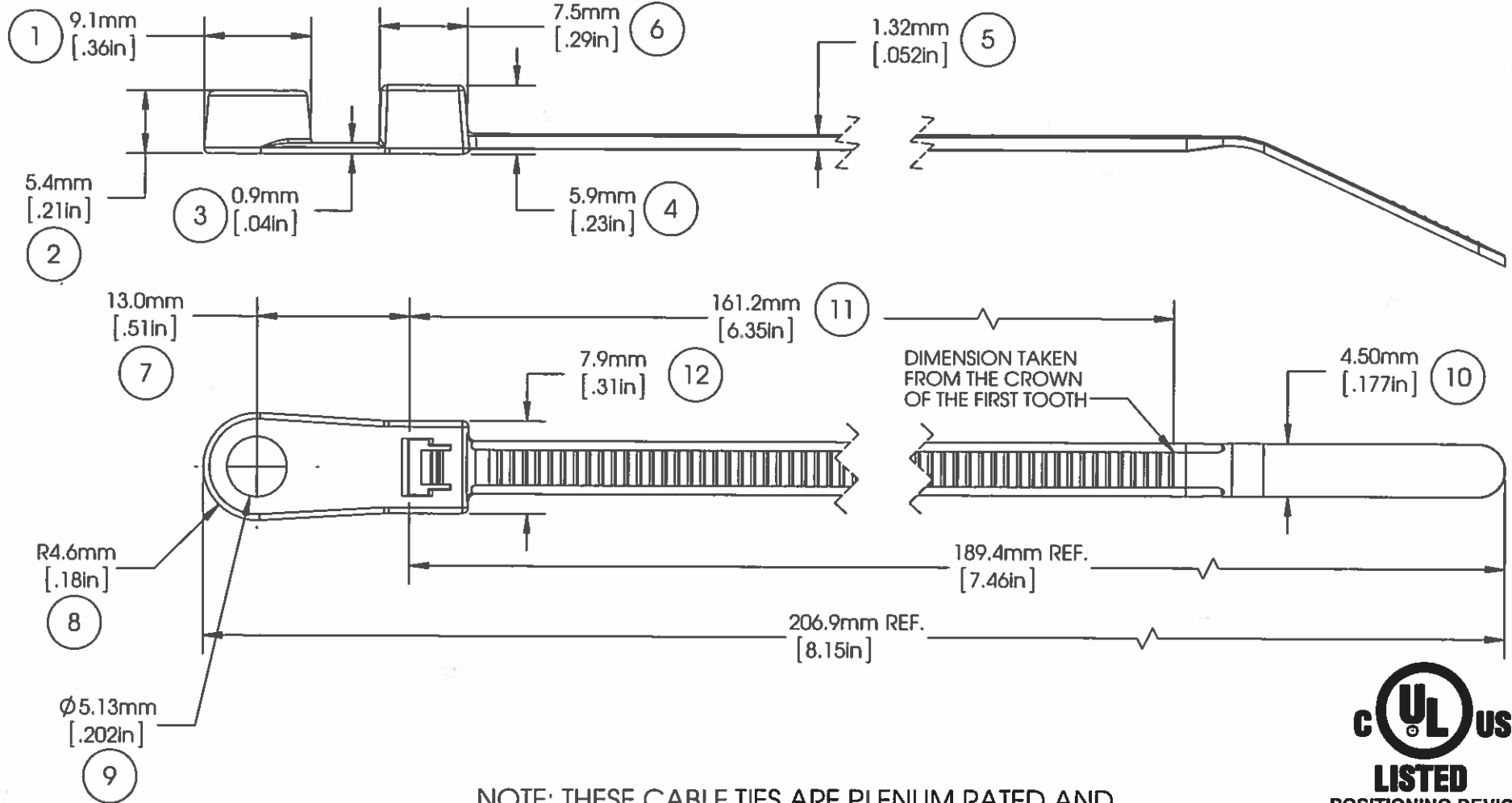


# AVERY DENNISON MARKETING SPECIFICATION

## HISTORY

THE SUBJECT MATTER DISCLOSED HEREIN EMBODIES PROPRIETARY INFORMATION WHICH IS THE CONFIDENTIAL PROPERTY OF THE AVERY DENNISON CO. NONE OF WHICH SHALL BE COPIED, REPRODUCED, DISCLOSED TO OTHERS, PUBLISHED OR USED IN WHOLE OR IN PART, FOR ANY PURPOSE OTHER THAN THAT FOR WHICH IT IS BEING MADE AVAILABLE WITHOUT THE EXPRESS ADVANCE WRITTEN PERMISSION OF A DULY AUTHORIZED AGENT OF THE COMPANY. THIS DOCUMENT IS THE PROPERTY OF THE AVERY DENNISON CO. AND IS TO BE RETURNED TO THE COMPANY ON DEMAND.

REV.	DATE	DESCRIPTION
B	11-19-14	MODIFIED DIMS TO BE MORE EASILY INSPECTED; ADDED UL LOGO AND UPDATED THE FORMAT



NOTE: THESE CABLE TIES ARE PLENUM RATED AND HAVE A FLAMMABILITY RATING OF V-2



MOUNTING:	# 10 SCREW
LOOP TENSILE STRENGTH.:	50 LBF / 220N MIN. PER AS-23190
OPERATING TEMP.:	-40°F (-40°C) TO 185°F (85°C)
MIN. INSTALLATION TEMP.:	32°F (0°C)
WEIGHT:	0.05 OZ./1.5g
BUNDLE DIAMETER:	Ø 1.6mm (.06in) - Ø 4.5mm (1.75in)
INSTALLATION TOOL:	12001 - HAND TOOL 12500 - PNEUMATIC TOOL
TOOL TENSION SETTING:	6 - 8
PACKAGING:	100/BAG, 5000/CASE

APPROVALS:	ENG. APPR.	<i>U. O. M. 11/19/14</i>
	Q.A. APPR.	<i>J. Boyle 11/19/14</i>

SPECIFIED TOLERANCES	
INCHES	MM
.XX ± .03	.X ± .7
.XXX ± .010	.XX ± .25
ANGULAR: ± 2°	

MATERIAL	<b>NYLON 6/6</b>
COLOR	<b>NATURAL</b>

 <b>AVERY DENNISON</b>	<small>FASTENER DIVISION FITCHBURG, MA 01420 U.S.A. TEL. 1-800-225-6913 FAX. 978-353-8157</small>	
	DESCRIPTION	REV.
<b>7.5" CABLE TIE, STD., #10 SCREW MOUNT</b>	<b>B</b>	
STOCK NO.		
<b>08484-0</b>		