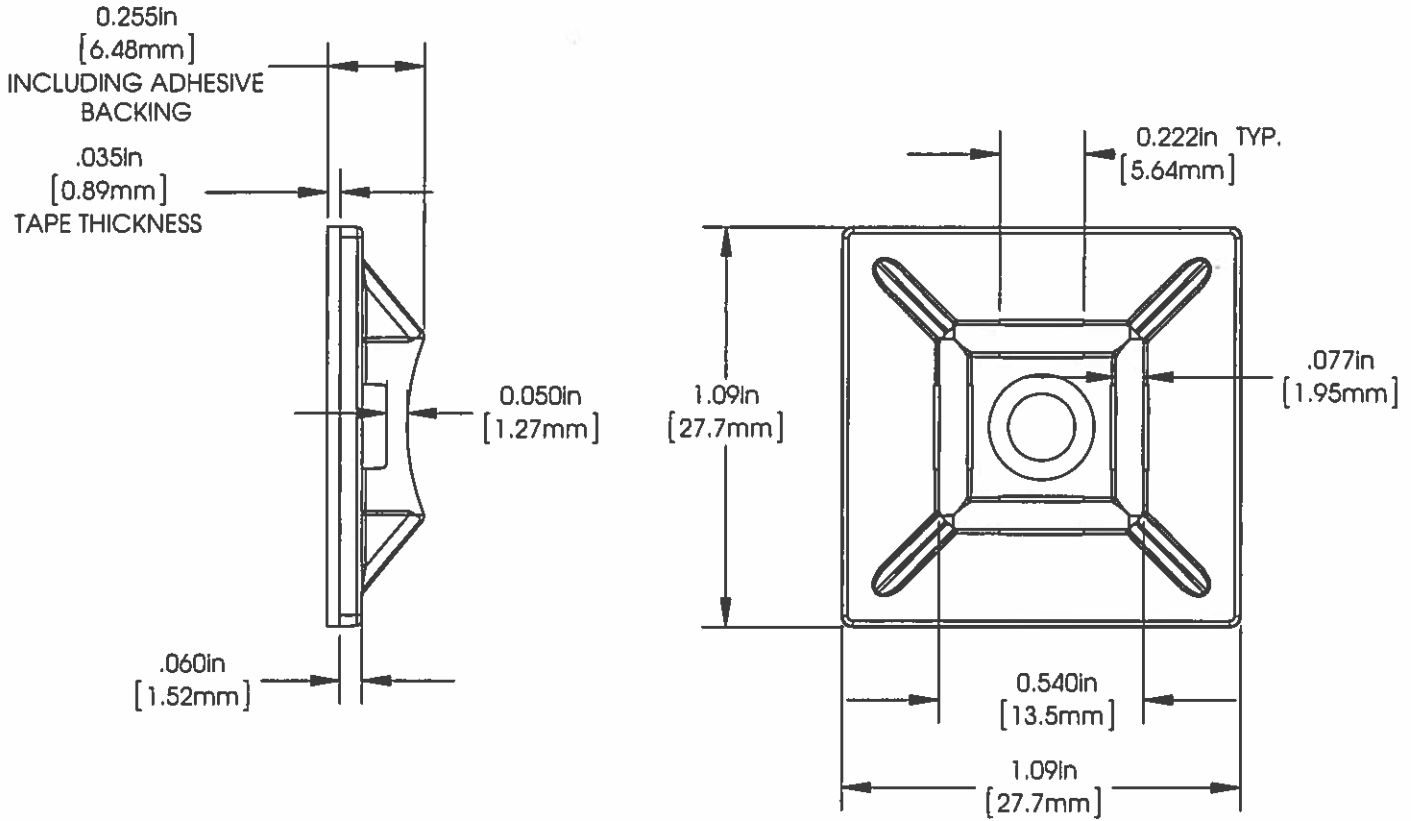


AVERY DENNISON PRODUCT SPECIFICATION



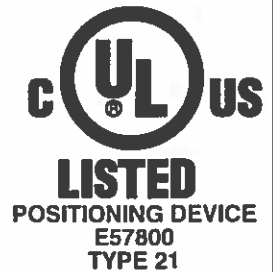
NOT TO SCALE

UNLESS OTHERWISE SPECIFIED:
TOLERANCES: $\pm 10\%$

MATERIAL:	NYLON 6 NATURAL
WEIGHT:	.054 oz. / 1.54 g
MOUNTING:	ADHESIVE MOUNTING
PACKAGING:	100 PER BAG / 10 BAGS PER BOX
OPERATING TEMP RANGE:	-30 °C (-22 °F) TO 75 °C (167 °F)
LOOP TENSILE STRENGTH:	50lbf 220N MINIMUM
MINIMUM INSTALLATION TEMP:	32 °C (0 °F)

NOTES:

1. THESE MOUNTS HAVE A FLAMMABILITY RATING OF V-2
2. UL APPLICATIONS REQUIRE USE WITHIN ENCLOSURES.



08462-0

1" CABLE TIE MOUNT, ACRYLIC ADHESIVE

APPROVER

L. Bunde 4/22/15

REV
J



Avery Dennison

Fastener Division

USA

Phone - 1-800-225-5913 Fax - 1-800-848-2169