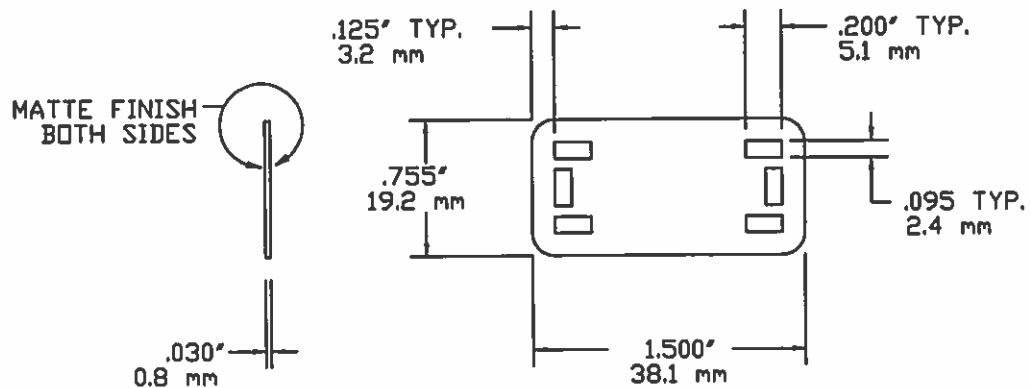


AVERY DENNISON PRODUCT SPECIFICATION

TOLERANCES: IN. = ± .030 in
MM = ± 0.7 mm



NOT TO SCALE

MATERIAL:	NYLON 6
WEIGHT:	.01890 oz. / .56 grams
MINIMUM BUNDLE DIAMETER:	1/8"
UL RECOGNIZED:	FILE NO. E57800
PACKAGED IN:	100 PER BAG / 10 BAGS PER BOX



FASTENER DIVISION
FITCHBURG, MA 01420 U.S.A.
TEL. 1-800-225-5913
MA. 978-353-6157



DESCRIPTION:

IDENTIFICATION PLATE

APPROVAL: *JC B...*

STOCK NO.

08457

REV

F