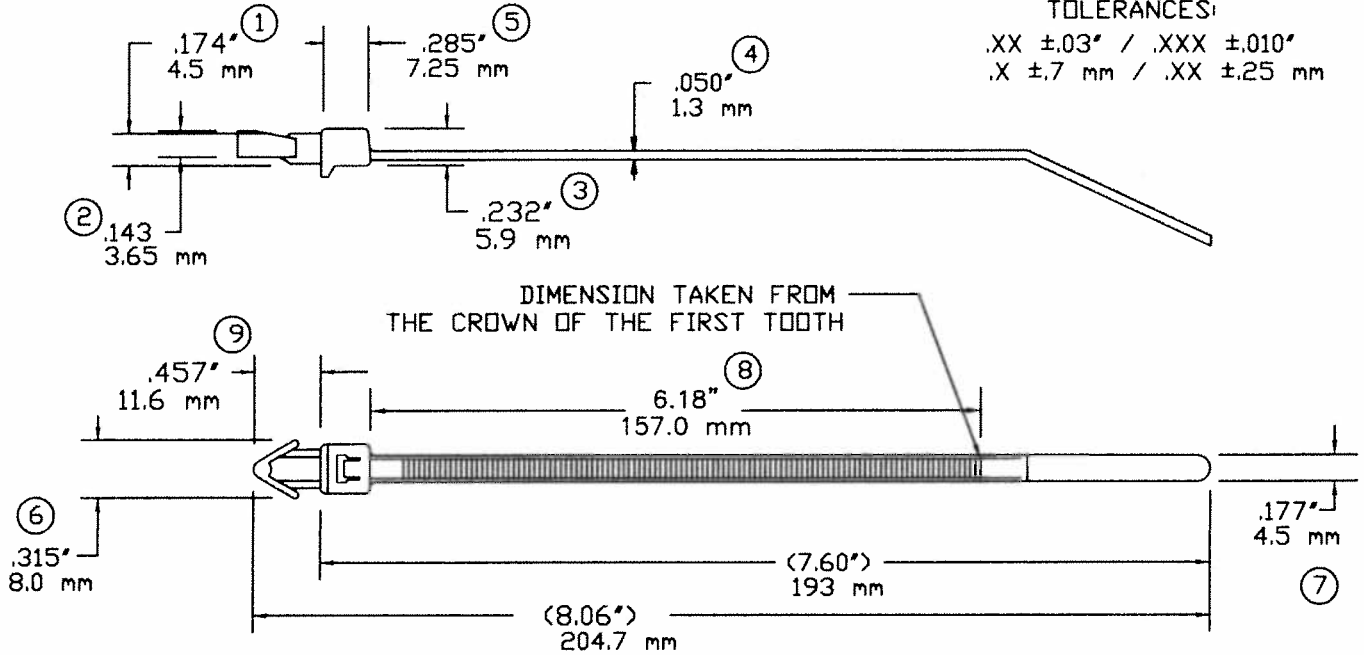


# AVERY DENNISON MARKETING SPECIFICATION

**TOLERANCES:**

.XX ±.03" / .XXX ±.010"  
.X ±.7 mm / .XX ±.25 mm



**NOT TO SCALE**

LOOPED TENSILE STRENGTH:	50 LBF. / 220N MIN. PER AS-23190
MATERIAL:	NYLON 6/6 - BLACK WEATHER RESISTANT
OPERATING TEMPERATURE:	-40°F (-40°C) TO 176°F (80°C)
MINIMUM INSTALLATION TEMP:	32°F (0°C)
WEIGHT:	.04540 oz. / 1.31 grams
BUNDLE DIAMETER:	1.59mm - 44mm
MOUNTING:	1/4" DIA.HOLE IN 1/8" MAX.THICK PANEL
TOOLS:	12001 - HAND INSTALLATION TOOL 12500 - PNEUM. INSTALLATION TOOL
TOOL TENSION SETTING:	6-8
PACKAGED IN:	1000/BAG, 5000/CASE



FASTENER DIVISION  
FITCHBURG, MA 01420 U.S.A.  
TEL 1-800-225-5913  
MA. 978-353-8157

NOTE: THESE CABLE TIES ARE  
UV RESISTANT AND HAVE A  
FLAMMABILITY RATING OF V-2



LISTED  
POSITIONING DEVICE  
E57800  
TYPE 21

**DESCRIPTION:**

7.5" CABLE TIE, STANDARD,  
PUSH MOUNT

**APPROVAL:**

Q.A.:

Linda Boyle 10/20/14

STOCK NO.

08446-0

REV

L