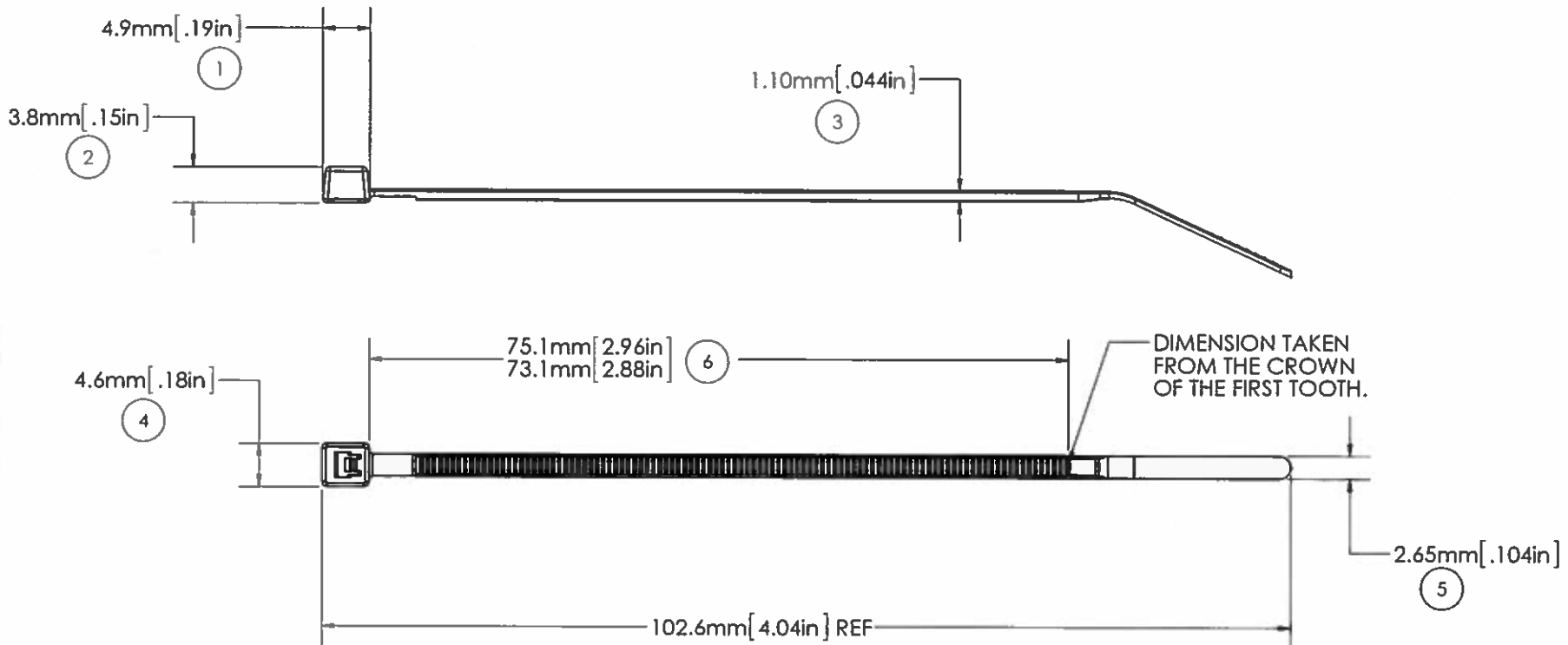


AVERY DENNISON MARKETING SPECIFICATION

THE SUBJECT MATTER DISCLOSED HEREIN EMBODIES PROPRIETARY INFORMATION WHICH IS THE CONFIDENTIAL PROPERTY OF THE AVERY DENNISON CO. NONE OF WHICH SHALL BE COPIED, REPRODUCED, DISCLOSED TO OTHERS, PUBLISHED OR USED IN WHOLE OR IN PART, FOR ANY PURPOSE OTHER THAN THAT FOR WHICH IT IS BEING MADE AVAILABLE WITHOUT THE EXPRESS ADVICE WRITTEN PERMISSION OF A DULY AUTHORIZED AGENT OF THE COMPANY. THIS DOCUMENT IS THE PROPERTY OF THE AVERY DENNISON CO. AND IS TO BE RETURNED TO THE COMPANY ON DEMAND.

HISTORY		
REV.	DATE	DESCRIPTION
B	02.03.15	REDRAWN IN NEW FORMAT. ADDED UL LOGO. CHG. DIM 1 TO BE TAKEN FROM BOTTOM OF HEAD. UPDATED DIM 5



MILITARY STANDARD:	MS-3367-4-0
LOOP TENSILE STRENGTH:	18 lbs./80N MIN. PER AS-23190
OPERATING TEMP RANGE:	-68°F (-20°C) TO 176°F (80°C)
MIN. INSTALLATION TEMP:	32°F (0°C)
WEIGHT:	0.29g
BUNDLE DIAMETER:	Ø 1.6mm [.06in] TO Ø 22.2mm [.87in]
TOOL:	12001 - HAND INSTALLATION TOOL 12500 - PNUM. INSTALLATION TOOL
TOOL TENSION SETTING:	1 - 3
PACKAGING:	100/BAG 5000/CASE

NOTE: THESE CABLE TIES ARE UV RESISTANT AND HAVE A FLAMMABILITY RATING OF V-2

APPROVALS:	ENG. APPR. <i>[Signature]</i> 2/3/15		AVERY DENNISON <small>FASTENER DIVISION FITCHBURG, MA 01470 U.S.A. TEL: 1-800-225-5913 FAX: 978-353-6157</small>
	Q.A. APPR. <i>[Signature]</i> 2/3/15		
SPECIFIED TOLERANCES ARE:		DESCRIPTION	
.XX ± .03 IN. .X ± .7 MM		4" CABLE TIE MINIATURE	
.XXX ± .010 IN. .XX ± .25 MM		STOCK NO.	REV.
ANGULAR: ± 2°	MATERIAL NYLON 6/6, WEATHER RESISTANT	08435-0	B
	COLOR BLACK		

5

4

3

2

1