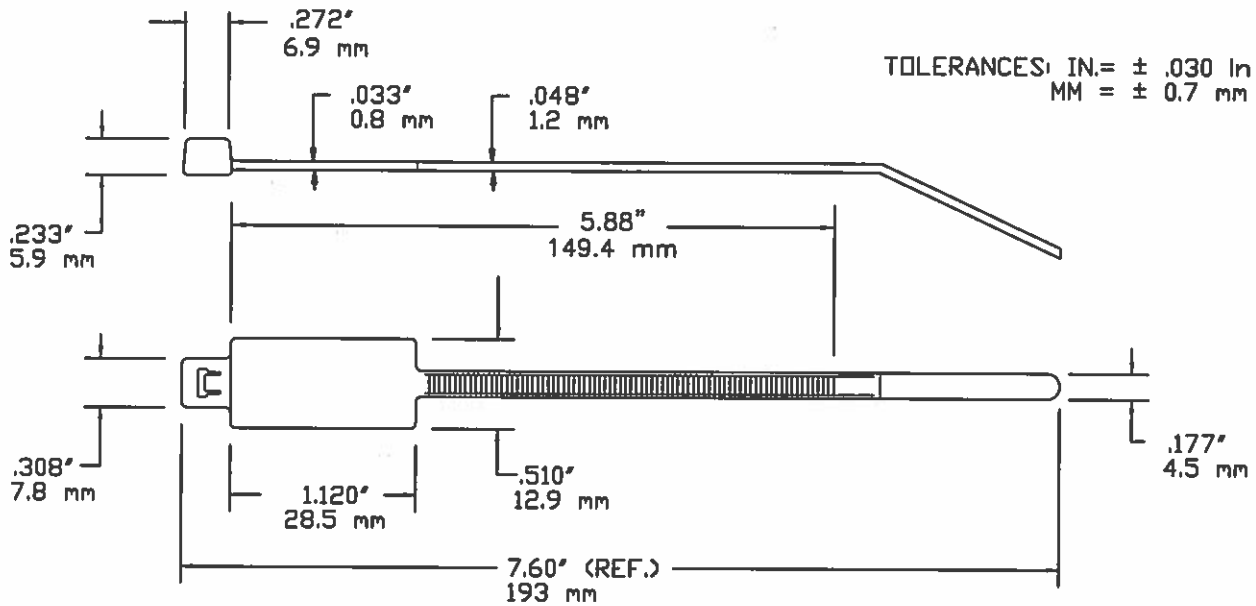


AVERY DENNISON MARKETING SPECIFICATION



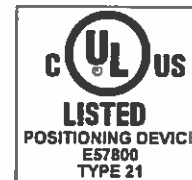
NOT TO SCALE

LOOPED TENSILE STRENGTH:	50 Lbsf. / 220N MINIMUM PER MIL-S-23190.
MILITARY STANDARD:	MS-3368-1-9A
MATERIAL:	NYLON 6/6
WEIGHT:	.04590 oz. / 1.35 grams
BUNDLE DIAMETER:	∅0.375"/9.53mm to 1.75"/44.0mm
MIN. INSTALLATION TEMP:	32°F (0°C)
OPERATING TEMPERATURE:	-40°F(-40°C) to 185°F(85°C)
APPLICATION TOOL:	TOOL, HAND ADJUSTABLE, FOR PLASTIC TIE DOWN STRAP. AVERY DENNISON PART NUMBER 12001.
TOOL TENSION SETTING:	6-8
PACKAGED IN:	100 PACKS IN SEALED BAGS

PLENUM RATED AND HAS A FLAMMABILITY RATING OF V-2
UL APPLICATIONS REQUIRE USE WITHIN ENCLOSURES.



FASTENER DIVISION
FITCHBURG, MA 01420 U.S.A.
TEL 1-800-225-5913
MA 978-353-8157



DESCRIPTION:

7.5" CABLE TIE, STANDARD IDENTIFICATION - NATURAL

APPROVAL: Q.A.:

Linda Boyle 4-1-2016

STOCK NO.

08419-0

REV

B