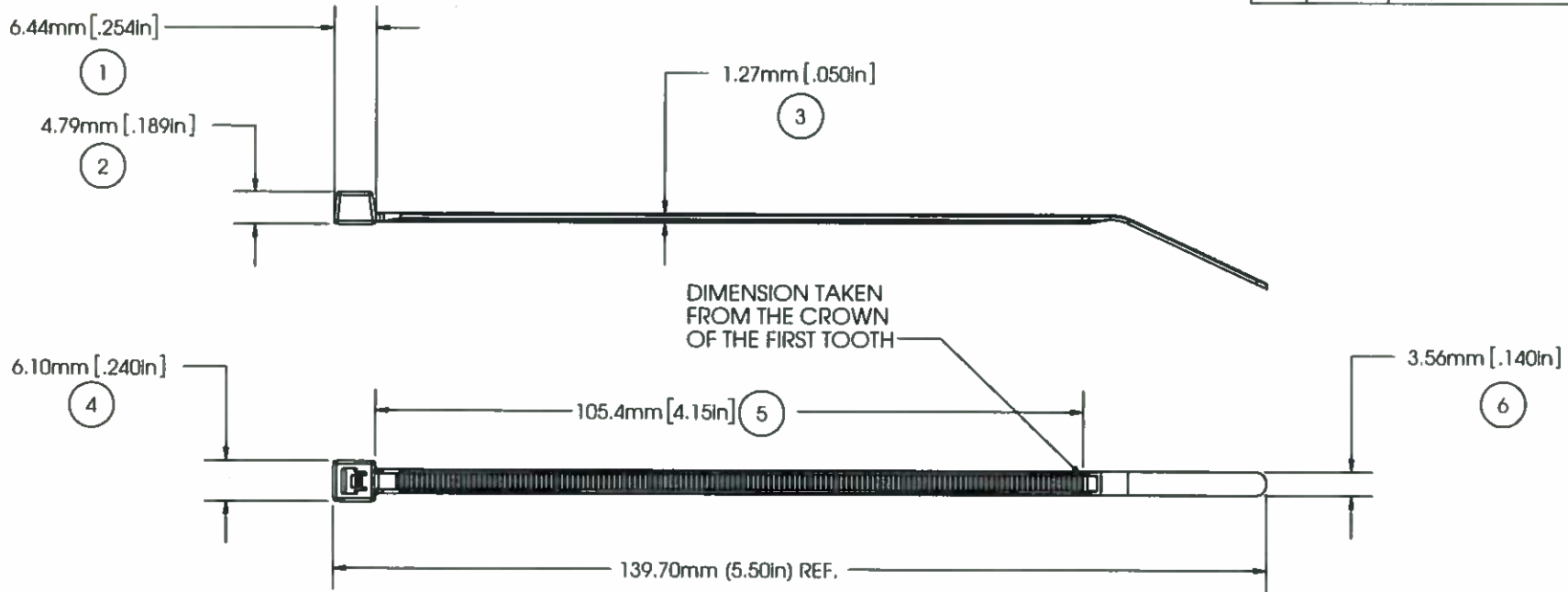


AVERY DENNISON MARKETING SPECIFICATION

HISTORY

THE SUBJECT MATTER DISCLOSED HEREIN EMBODIES PROPRIETARY INFORMATION WHICH IS THE CONFIDENTIAL PROPERTY OF THE AVERY DENNISON CO. NONE OF WHICH SHALL BE COPIED, REPRODUCED, DISCLOSED TO OTHERS, PUBLISHED OR USED IN WHOLE OR IN PART, FOR ANY PURPOSE OTHER THAN THAT FOR WHICH IT IS BEING MADE AVAILABLE WITHOUT THE EXPRESS ADVANCE WRITTEN PERMISSION OF A DULY AUTHORIZED AGENT OF THE COMPANY. THIS DOCUMENT IS THE PROPERTY OF THE AVERY DENNISON CO. AND IS TO BE RETURNED TO THE COMPANY ON DEMAND.

REV.	DATE	DESCRIPTION
Q	09.24.13	UPDATE BALLOON 5; ADDED UNITS
R	09.12.14	ADDED OPER. TEMP. UL LOGO AND NOTE; CHG DIM 1 TO BE TAKEN FROM THE BOTTOM OF THE HEAD



NOTE: THESE CABLE TIES ARE PLENUM RATED AND HAVE A FLAMMABILITY RATING OF V-2



LOOP TENSILE STRENGTH: 40 LBF / 180N MIN. PER AS-23190	APPROVALS: ENG. APPR. <i>LQ. OMD 9/12/14</i> Q.A. APPR. <i>J. Boyle 9/12/14</i>	SPECIFIED TOLERANCES ARE: .XX ± .03 IN. .X ± .7 MM .XXX ± .010 IN. .XX ± .25 MM ANGULAR: ± 2°	MATERIAL NYLON 6/6, HEAT STABILIZED COLOR BLACK	DESCRIPTION 5.5" CABLE TIE, INTERMED. STOCK NO. 08400-0	REV. R
OPERATING TEMPERATURE: -40°F (-40°C) TO 220°F (105°C)					
MIN. INSTALLATION TEMP.: 32°F (0°C)					
WEIGHT: 0.025 OZ./0.70 GRAMS					
BUNDLE DIAMETER: Ø 1.6MM TO Ø 31.8MM					
TOOL: 12001 - HAND INSTALL. TOOL 12500 - PNUM. INSTALL. TOOL					
TOOL TENSION SETTING: 3-5					
PACKAGING: 1000/BAG, 5000/CASE					

AVERY DENNISON
FASTENER DIVISION
FITCHBURG, MA 01420 U.S.A.
TEL. 1-800-225-5913
FAX. 978-353-8157

5

4

3

2

1