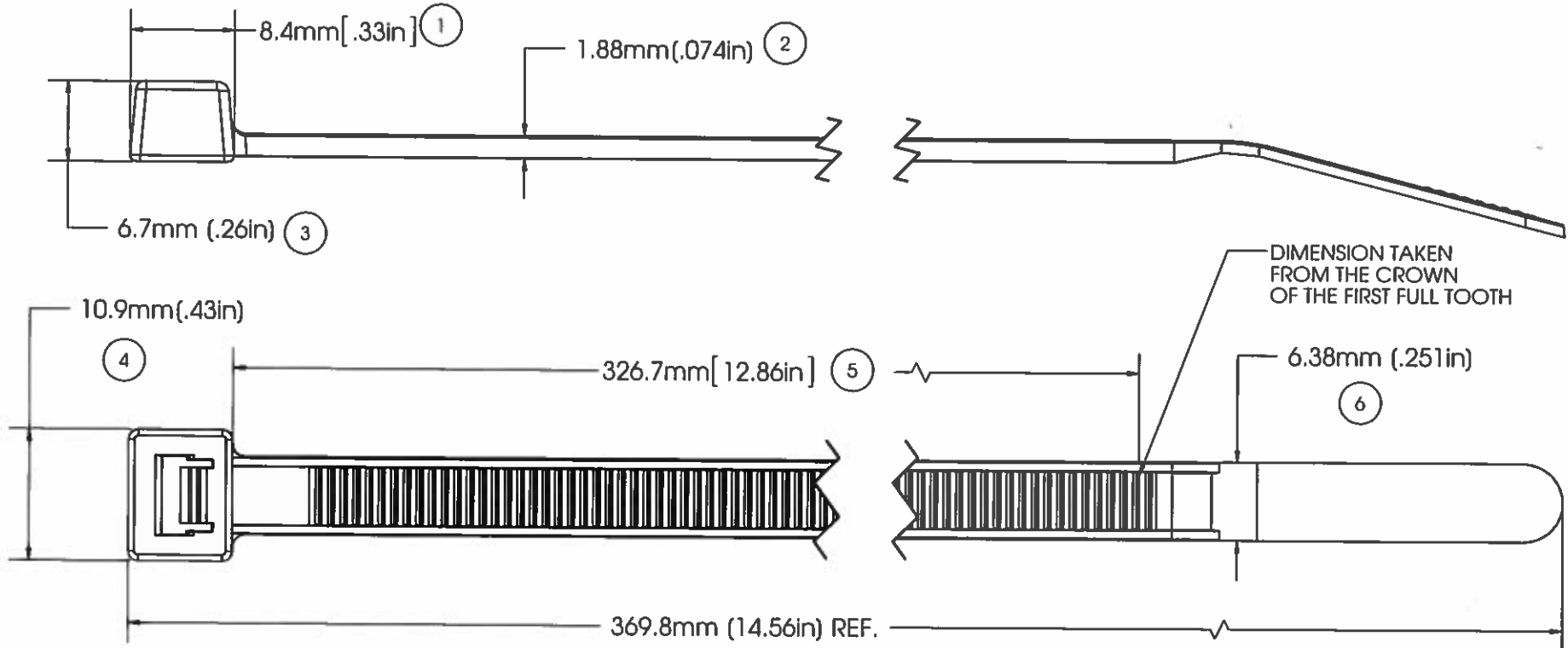


# AVERY DENNISON MARKETING SPECIFICATION

## HISTORY

THE SUBJECT MATTER DISCLOSED HEREIN EMBODIES PROPRIETARY INFORMATION WHICH IS THE CONFIDENTIAL PROPERTY OF THE AVERY DENNISON CO. NONE OF WHICH SHALL BE COPIED, REPRODUCED, DISCLOSED TO OTHERS, PUBLISHED OR USED IN WHOLE OR IN PART, FOR ANY PURPOSE OTHER THAN THAT FOR WHICH IT IS BEING MADE AVAILABLE WITHOUT THE EXPRESS ADVANCE WRITTEN PERMISSION OF A DULY AUTHORIZED AGENT OF THE COMPANY. THIS DOCUMENT IS THE PROPERTY OF THE AVERY DENNISON CO. AND IS TO BE RETURNED TO THE COMPANY ON DEMAND.

REV.	DATE	DESCRIPTION
B	12.16.14	UPDATED FORMAT; CHG DIM 5 AND ADDED NOTE TO DIM 5; ADDED UL LOGO AND FLAME RATING NOTE



NOTE: THESE CABLE TIES ARE PLENUM RATED AND HAVE A FLAMMABILITY RATING OF V-2

MILITARY STANDARD:	MS-3367-3-9
LOOP TENSILE STRENGTH:	120 LBF /534N MIN. PER AS-23190
OPERATING TEMP:	-40°F(-40°C) TO 185°F (85°C)
MIN. INSTALLATION TEMP:	32 °F(0°C)
WEIGHT:	.155 OZ./4.58g
BUNDLE DIAMETER:	Ø 4.7mm(.19in) TO Ø 101.6mm(4.00in)
TOOL:	12001 - HAND INSTALLATION TOOL 12500 - PNUM. INSTALLATION TOOL
TOOL TENSION SETTING:	6 - 8 ON HEAVY DUTY TOOL
PACKAGING:	50/BAG, 1000/CASE

APPROVALS: ENG. APPR. *L. O. M. S. 12/16/14*  
Q.A. APPR. *J. Boyd 12-16-14*

**AVERY DENNISON**  
FASTENER DIVISION  
FITCHBURG, MA 01420 U.S.A.  
TEL. 1-800-225-5913  
FAX. 978-353-8157

SPECIFIED TOLERANCES ARE:		MATERIAL	DESCRIPTION
.XX ± .03 IN.	.X ± .7 MM	<b>NYLON 6/6</b>	<b>14.5" CABLE TIE, HEAVY DUTY</b>
.XXX ± .010 IN.	.XX ± .25 MM	COLOR	STOCK NO.
ANGULAR: ± 2°		<b>NATURAL</b>	<b>08378-0</b>
			REV. <b>B</b>

5 4 3 2 1