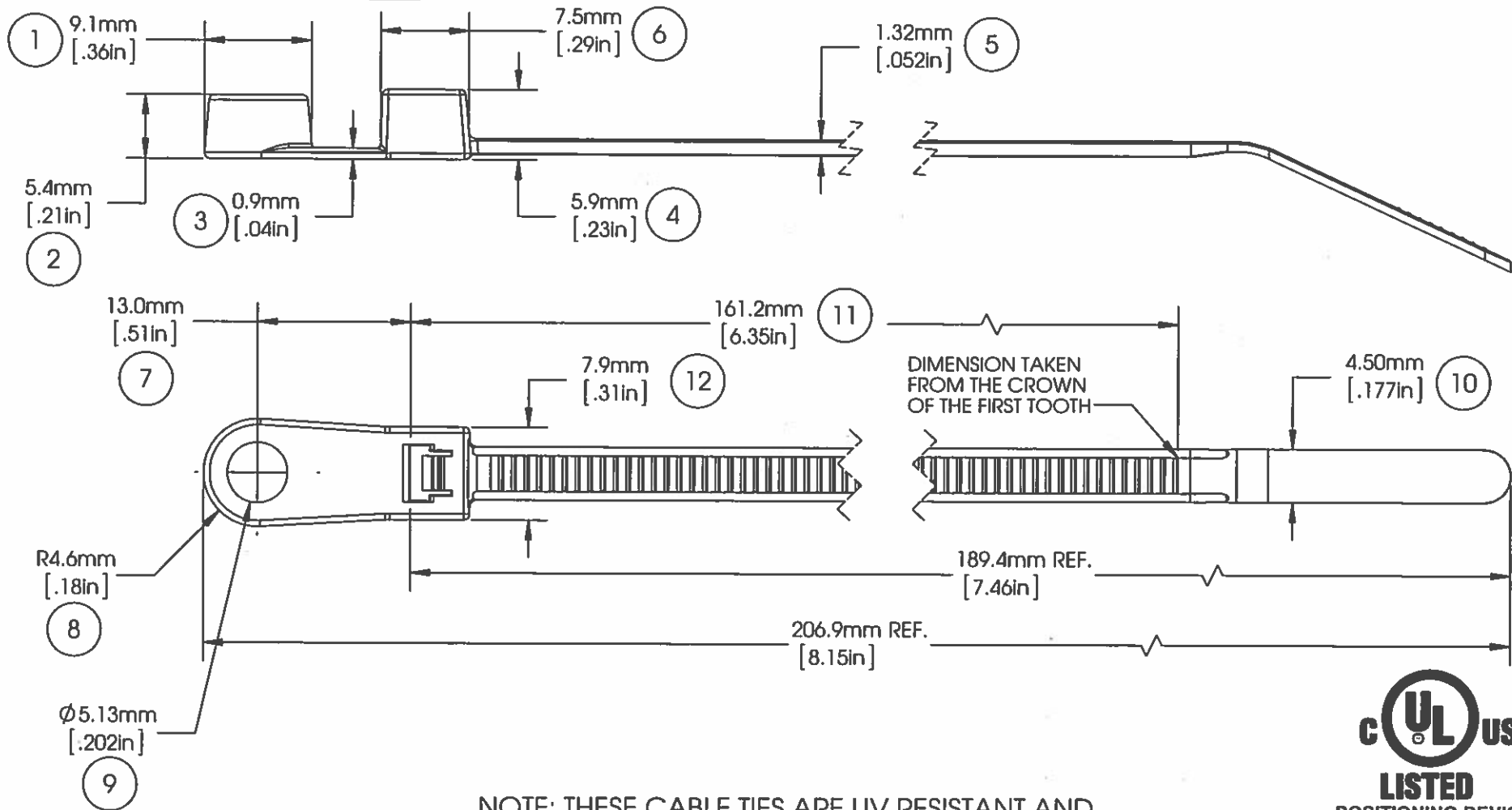


AVERY DENNISON MARKETING SPECIFICATION

THE SUBJECT MATTER DISCLOSED HEREIN EMBODIES PROPRIETARY INFORMATION WHICH IS THE CONFIDENTIAL PROPERTY OF THE AVERY DENNISON CO. NONE OF WHICH SHALL BE COPIED, REPRODUCED, DISCLOSED TO OTHERS, PUBLISHED OR USED IN WHOLE OR IN PART, FOR ANY PURPOSE OTHER THAN THAT FOR WHICH IT IS BEING MADE AVAILABLE WITHOUT THE EXPRESS ADVANCE WRITTEN PERMISSION OF A DULY AUTHORIZED AGENT OF THE COMPANY. THIS DOCUMENT IS THE PROPERTY OF THE AVERY DENNISON CO. AND IS TO BE RETURNED TO THE COMPANY ON DEMAND.

HISTORY		
REV.	DATE	DESCRIPTION
B	11-19-14	MODIFIED DIMS TO BE MORE EASILY INSPECTED; ADDED UL LOGO AND UPDATED THE FORMAT



NOTE: THESE CABLE TIES ARE UV RESISTANT AND HAVE A FLAMMABILITY RATING OF V-2



MOUNTING:	# 10 SCREW
LOOP TENSILE STRENGTH:	50 LBF / 220N MIN. PER AS-23190
OPERATING TEMP:	-40°F (-40°C) TO 176°F (80°C)
MIN. INSTALLATION TEMP:	32°F (0°C)
WEIGHT:	0.05 OZ./1.5g
BUNDLE DIAMETER:	Ø 1.6mm (.06in) - Ø 4.5mm (1.75in)
INSTALLATION TOOL:	12001 - HAND TOOL 12500 - PNEUMATIC TOOL
TOOL TENSION SETTING:	6 - 8
PACKAGING:	100/BAG, 5000/CASE

APPROVALS:	ENG. APPR. <i>[Signature]</i> 11/19/14	
	Q.A. APPR. <i>[Signature]</i> 11/19/14	

SPECIFIED TOLERANCES	
INCHES	MM
.XX ± .03	.X ± .7
.XXX ± .010	.XX ± .25
ANGULAR: ± 2°	

MATERIAL	NYLON 6/6, WEATHER RESISTANT
COLOR	BLACK

	AVERY DENNISON	FASTENER DIVISION FITCHBURG, MA 01420 U.S.A. TEL. 1-800-725-5913 FAX. 978-353-9157
DESCRIPTION		
7.5" CABLE TIE, STD., #10 SCREW MOUNT		
STOCK NO.	08318-0	REV. B