

Flexibility for a Variety of Packaging Options

The unique design of the Avery Dennison® IndES® Elastic Staple® System secures items to flat card surfaces or multi-level card packaging designs. With lengths ranging from 15mm to 200mm, the strong, pliable staples stretch to a wide variety of product shapes and sizes. This flexible system can be used as a stand-alone unit or integrated into automated high volume packaging lines to position and securely hold products on a backing card or within a package, such as:

- Toys
- Socks
- Jewelry
- DIY tools
- Home textiles
- Kitchen utensils
- Sporting goods accessories

The IndES® Elastic Staple® System helps reduce overall packaging and associated costs while improving productivity compared to using:

- Clam shells
- Cable ties
- Blister packs
- Twist ties



Faster Packaging for Greater Productivity

Replacing conventional manual packaging methods with the Avery Dennison® IndES® Elastic Staple® System can:

- Decrease downtime by reducing time and steps in packaging production
- Reduce operator workload
- Reduce material costs

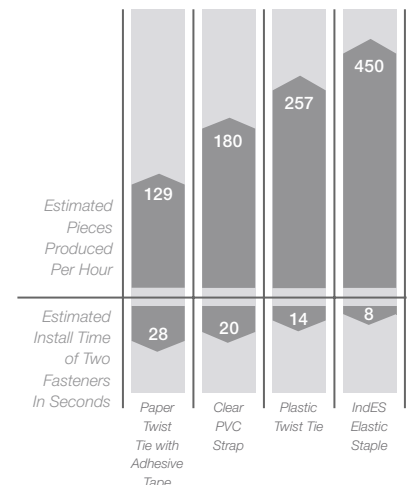
Elevates the Consumer's Experience

Reduced packaging creates a better view of the product, increasing overall shelf appeal and providing a positive consumer experience both before and after the sale through:

- Improved visuals of the product at the point-of-sale
- Increased customer interaction with the product, which remains securely packaged
- Faster, easier and safer removal of the product

Sustainable Packaging

Water and energy use, solid waste production and CO2 emissions are reduced when compared to conventional packaging methods such as plastic cable ties and paper twist ties. Using the IndES® elastic staples can eliminate excess packaging and reduce the amount of materials being transported.

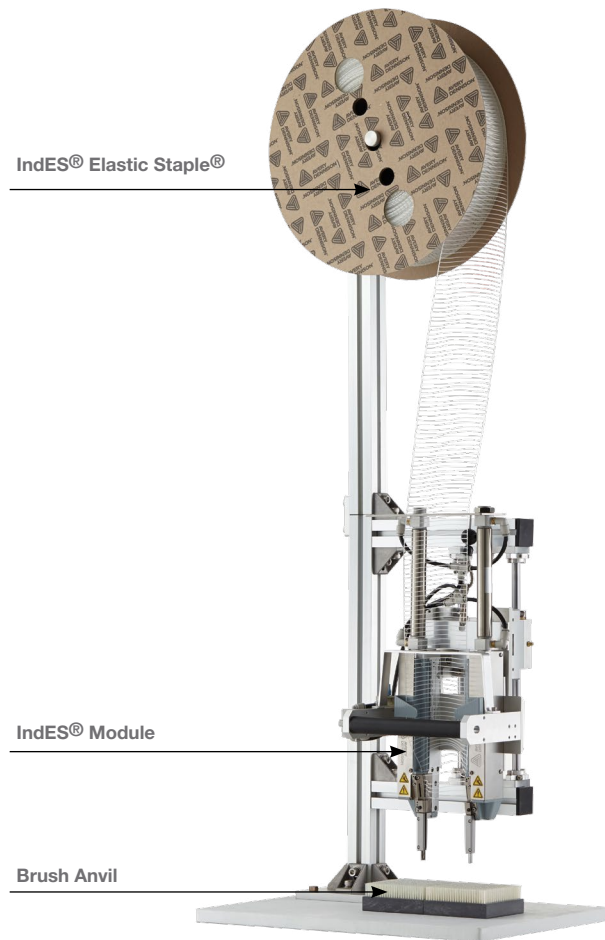


PACKAGING METHODS

Estimates based on internal testing. Application of two fasteners to attach a product to a backing card.

Technical Specifications

IndES® Elastic Staple® System

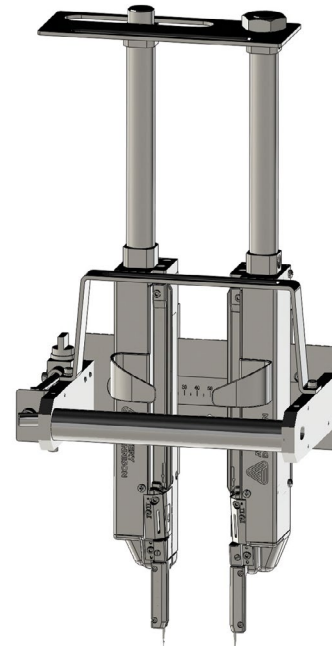


The IndES® Elastic Staple® System has an adjustable feature that allows the operator to apply a single staple or double staple in a single actuation.

Avery Dennison also offers a Reinforced Backing Solution™ as an additional option for fastening bulky or heavy weight products when using the IndES® Elastic Staple® System.

To learn more about this option [watch this video](#).

IndES® Elastic Staple® Module



IndES® Module with Handle Part# 11601-0	
Gross Weight	5.7kg (12.6lbs)
Overall Dimensions	54cm x 27.2cm x 18.6 cm (21.29" x 10.7" x 7.32")
Operating Pressure	0.28MPi (40 psi) – 0.55MPi (80 psi)
Cycle Speed	0.6 seconds
*Min. Needle Spacing	12.7mm (.50")
*Max. Needle Spacing	160mm (6.30")

Reinforced Backing Solution™ (Optional)	
Part #	Description
11608-0	Module Set only
11607-0	Full Solution



Part # Natural	Part # Black	Overall Length		*Minimum Elongation	
		MM	INCH	MM	INCH
11625-0	11645-0	15	1/2	25.4	1.00
11626-0	11646-0	19	3/4	25.4	1.00
11627-0	11647-0	25	1	44.5	1.75
11628-0	11648-0	30	1-3/16	44.5	1.75
11629-0	11649-0	33	1-1/4	44.5	1.75
11630-0	11650-0	37	1-1/2	44.5	1.75
11631-0	11651-0	41	1-5/8	44.5	1.75
11632-0	11652-0	44	1-3/4	82.5	3.25
11633-0	11653-0	50	2	82.5	3.25
11634-0	11654-0	54	2-1/8	82.5	3.25
11635-0	11655-0	58	2-1/4	82.5	3.25
11636-0	11656-0	64	2-1/2	101.5	4.00
11637-0	11657-0	68	2-5/8	101.5	4.00
11638-0	11658-0	73	2-7/8	101.5	4.00
11639-0	11659-0	75	2-15/16	101.5	4.00
11640-0	11660-0	80	3-1/8	101.5	4.00
11641-0	11661-0	85	3-3/8	190.5	7.50
11642-0	11662-0	90	3-1/2	190.5	7.50
11643-0	11663-0	95	3 - 3/4	190.5	7.5
11644-0	11664-0	100	3 - 15/16	190.5	7.5
11685-0	11690-0	110	4 - 5/16	190.5	7.5
11686-0	11691-0	120	4 - 3/4	190.5	7.5
11687-0	11692-0	130	5 - 1/8	190.5	7.5
11688-0	11693-0	140	5 - 1/2	190.5	7.5
11689-0	11694-0	150	5 7/8	190.5	7.5
11710-0		165	6 - 1/2	220	8.66
11711-0		180	7 - 3/16	220	8.66
11712-0		200	7 - 7/8	220	8.66

Elastic Staple®	
Tensile Strength:	5.0 lbf Minimum (2.27kg)
Material:	Polyurethane
Weight:	0.026min/0.077max grams
Package:	10,000 Per Reel
Staple Temperature Range	60°C (140°F) to -26°C (-15°F)
Application Machine(s):	11600 IndES Module (All staple sizes) 10790, VNS & 10797, SNS (All sizes except 85mm – 100mm)

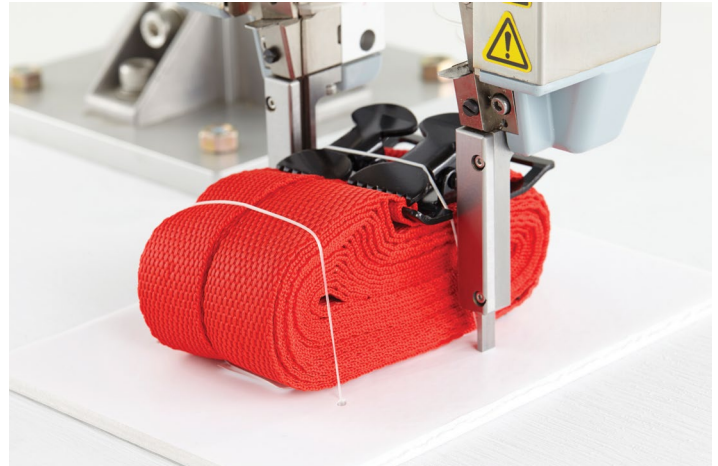
IndES® Needles and Accessories	
Part #	Description
11606	IndES module without handle
11616	Spring Mounting Stand
11618	Non Tapered Needle
11619	Tapered Needle
10751	Brush Anvil 102mm x 102mm, 4" x 4"
11610	APU Benchtop Unit
11623	Adjustable Needle Spacing Kit
11609	Heavy Duty 101mm Needle

The information contained herein is believed to be reliable but Avery Dennison makes no representations concerning the accuracy or correctness of the data. This product, like any other should be tested by the customer/user thoroughly under end user conditions to ensure the product meets the particular requirements. Independent results may vary. Avery Dennison and the logo are registered trademarks of Avery Dennison Corp. Third party trademarks and/or trade names used herein are the property of their respective owner(s).
 © 2017 Avery Dennison Corporation, All Rights Reserved. Patents Pending Patent Number 8695799, 9193492, D738712, 9199756

Secure and Attractive Packaging

The strong pliable staples stretch to a wide variety of product shapes and sizes. Unlike cable ties or twist ties, elastic staples are thin and enable a clean appearance of the product when secured to the packaging.

While gains in production efficiency can be realized, the most important advantage of using the IndES IndES® Elastic Staple® is at the point-of-sale. Consumers can easily read the product information and messages typically displayed on the back of a card. Here's a comparison of packaging using conventional twist ties versus the same packaging using the IndES® Elastic Staple® system.



Fastening with Conventional Twist Ties



Fastening with IndES® Elastic Staple®

Elevating Brands, Accelerating Performance

To view the IndES® Elastic Staple® system in action [watch this video](#).

For more information visit fastener.averydennison.com, call or email us at fastener@averydennison.com ✉

Watch
This
Video



USA & CANADA

224 Industrial Road
Fitchburg, MA 01420
Tel +978 345 8100 (direct)
Tel +800 225 5913
Fax +800 848 2169

LATIN AMERICA

Aristóteles #123
Parque Industrial Kalos
Apodaca, Nuevo León
66600 México
Tel +52 (81) 8864 4100
Fax +52 (81) 8864 4101

ASIA

No. 7 Chun Ying Street
Tseung Kwan O
Industrial Estate
New Territories, Hong Kong
Tel +852 2372 3000
Fax +852 2873 6436

EUROPE, MIDDLE EAST & AFRICA

1 Thomas Road
Wooburn Green
Bucks HP10 0PE
Tel +(44) 1628 859500
Fax +(44) 1628 859567

fastener.averydennison.com