

Inventory Accuracy, Visibility and Loss Prevention

Avery Dennison® NXP UCODE7
RFID Inlays

Elevating Brands and Accelerating Performance
Throughout the Global Retail Supply Chain



Accelerate Performance: Inventory Accuracy, Visibility and Loss Prevention

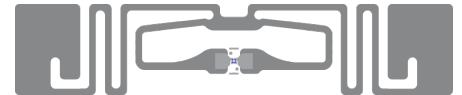
Improve Inventory Accuracy, Visibility and Loss Prevention through integrated solutions from manufacturing source to consumer that can help increase speed, accuracy, visibility, productivity and margins.

Versatility, Performance and Speed

The Avery Dennison AD-235u7 and the AD-370u7 inlays feature some of the latest RFID technology from NXP: UCODE 7.

Advantages of these Gen2 inlay designs for apparel include:

- Fastest encoding speed
- Global high performance
- Versatility in application and sizes



AD-235u7 RFID Inlay

High Performance Worldwide

Ensure balanced performance in North America and Europe. The AD-235u7 RFID Inlay was developed as a standard size inlay to deliver increased read-range and improved read-rates, bringing versatility and greater system robustness globally.

Smaller Size, More Options

The size of the finished tag or label is critical to retailers' and brand owners' merchandising processes. The ideal solution is a smaller tag size without sacrificing performance. With a size of just 0.75 x 2.09 inches (19 x 53 mm), the AD-370u7 was designed to offer high performance in a narrow format, enabling it to:

- Accommodate ticket, label or printed fabric label media
- Facilitate uniform inlay use, reducing product sets to a retailer
- Elevate brands by allowing the use of narrow labels, hang tags and printed fabric labels



AD-370u7 RFID Inlay

Flexible Media Options

- Thermal direct or thermal transfer face sheets
- Variety of supply sizes and adhesives to fit your individual needs
- Printed fabric labels for apparel applications
- Multiple inlay formats available

Availability

Label samples and pilot quantities are available now; inlay and media formats will be available May, 2013. For additional inlay and media formats, contact your Avery Dennison representative.

Elevating Brands. Accelerating Performance.



Experience this and many other supply chain solutions at our worldwide Customer Design and Innovation Centers. For more information on Avery Dennison RFID Inlays or to schedule a tour of our Customer Design and Innovation Centers, please call 800.543.6650, prompt 5, or e-mail rbis.solutions@averydennison.com. For more information, please contact your Visit our website at www.rbis.averydennison.com.

Inventory Accuracy, Visibility and Loss Prevention

Avery Dennison® NXP UCODE7
RFID Inlays

Elevating Brands and Accelerating Performance
Throughout the Global Retail Supply Chain



	 AD-235u7	 AD-370u7
Antenna Dimensions	2.756 x 0.571 inches (70 x 14.5mm)	0.75 x 2.09 inches (19 x 53mm)
Roll Format	Wide edge leading	Narrow edge leading
Inlay Pitch	0.875 inches (22.23mm)	2.75 inches (69.85mm)
Inlay Formats	Dry and wet	Dry and wet
Media Formats	Labels, hang tags and printed fabric labels	Labels, hang tags and printed fabric labels

Technical Specifications Common to Both Inlays	
RFID Chipset	NXP UCODE 7
RFID Protocol	EPCglobal Class 1 Gen 2, ISO/IEC 18000-6C
EPC Memory	128 bits
TID/UID Memory	96 bits (48-bit unique serial number factory-encoded into TID)
Encoding Speed (16bits)	[1-1.8]ms depending on initial memory content
RoHS	EU Directive 2011/65EU compliant
Operating Frequency	860 – 960 MHz
Operating Temperature	-40° to 185 ° F (-40 ° to 85 °C)

The information contained herein is believed to be reliable but Avery Dennison makes no representations concerning the accuracy or correctness of the data. This product, like any other should be tested by the customer/user thoroughly under end user conditions to ensure the product meets the particular requirements. Independent results may vary.

© 2013 Avery Dennison Corporation, All Rights Reserved.

Avery Dennison Retail Branding and Information Solutions

Americas
170 Monarch Lane
Miamisburg, OH 45342
Tel +1 866 903 RFID (7343)
Intl +1 770 965 0807
(8:00 a.m. - 6:00 p.m. EDT)

Asia
15/F, Octa Tower
8 Lam Chak Street
Kowloon Bay, Kowloon
Hong Kong
Tel +852 3146 8100
Fax +852 2785 1255

E. Europe, Middle East & Africa
TEM Otoyolu Atış Alani Mevkii,
Tekstil Kent Koza Plaza A Blok
Kat: 17-18 34235, Esenler
Istanbul
Turkey
Tel +90 212 467 4000
Fax +90 212 467 4001

Western Europe
Kempische Kaai 7C
3500 Hasselt
Belgium
Tel +32 11 28 77 24
Fax +32 11 28 77 29